

INSTALLATION INSTRUCTIONS 30" (76.2 CM) FREESTANDING GAS RANGES

with standard clean oven

INSTRUCTIONS D'INSTALLATION DES CUISINIÈRES À GAZ AUTOPORTANTES DE 30" (76,2 CM)

avec four à nettoyage standard

Table of Contents/Table des matières

RANGE SAFETY	2	SÉCURITÉ DE LA CUISINIÈRE	17
INSTALLATION REQUIREMENTS	3	EXIGENCES D'INSTALLATION	18
Tools and Parts	3	Outillage et pièces	18
Location Requirements	4	Exigences d'emplacement	19
Electrical Requirements	5	Spécifications électriques	20
Gas Supply Requirements	6	Spécifications de l'alimentation en gaz.....	21
INSTALLATION INSTRUCTIONS	7	INSTRUCTIONS D'INSTALLATION	22
Unpack Range.....	7	Déballage de la cuisinière.....	22
Install Anti-Tip Bracket	7	Installation de la bride antibasculement	22
Make Gas Connection.....	8	Raccordement au gaz	23
Verify Anti-Tip Bracket Is Installed and Engaged	9	Vérifier que la bride antibasculement est bien installée et engagée.....	25
Level Range.....	10	Réglage de l'aplomb de la cuisinière	25
Electronic Ignition System.....	10	Système d'allumage électronique.....	25
Complete Installation.....	11	Achever l'installation.....	27
GAS CONVERSIONS	12	CONVERSIONS POUR CHANGEMENT DE GAZ	28
LP Gas Conversion.....	12	Conversion pour l'alimentation au propane.....	28
Complete Conversion.....	14	Terminer la conversion	30
Natural Gas Conversion	14	Conversion pour l'alimentation au gaz naturel	30
Complete Conversion.....	16	Terminer la conversion	32

IMPORTANT:

Installer: Leave installation instructions with the homeowner.

Homeowner: Keep installation instructions for future reference.

IMPORTANT :

Installateur : Remettre les instructions d'installation au propriétaire.

Propriétaire : Conserver les instructions d'installation pour référence ultérieure.

RANGE SAFETY

Your safety and the safety of others are very important.

We have provided many important safety messages in this manual and on your appliance. Always read and obey all safety messages.



This is the safety alert symbol.

This symbol alerts you to potential hazards that can kill or hurt you and others.

All safety messages will follow the safety alert symbol and either the word “DANGER” or “WARNING.” These words mean:

⚠ DANGER

You can be killed or seriously injured if you don't immediately follow instructions.

⚠ WARNING

You can be killed or seriously injured if you don't follow instructions.

All safety messages will tell you what the potential hazard is, tell you how to reduce the chance of injury, and tell you what can happen if the instructions are not followed.

WARNING: If the information in this manual is not followed exactly, a fire or explosion may result causing property damage, personal injury or death.

- Do not store or use gasoline or other flammable vapors and liquids in the vicinity of this or any other appliance.
- **WHAT TO DO IF YOU SMELL GAS:**
 - Do not try to light any appliance.
 - Do not touch any electrical switch.
 - Do not use any phone in your building.
 - Immediately call your gas supplier from a neighbor's phone. Follow the gas supplier's instructions.
 - If you cannot reach your gas supplier, call the fire department.
- Installation and service must be performed by a qualified installer, service agency or the gas supplier.

WARNING: Gas leaks cannot always be detected by smell.

Gas suppliers recommend that you use a gas detector approved by UL or CSA.

For more information, contact your gas supplier.

If a gas leak is detected, follow the “What to do if you smell gas” instructions.

IMPORTANT: Do not install a ventilation system that blows air downward toward this gas cooking appliance. This type of ventilation system may cause ignition and combustion problems with this gas cooking appliance resulting in personal injury or unintended operation.

In the State of Massachusetts, the following installation instructions apply:

- Installations and repairs must be performed by a qualified or licensed contractor, plumber, or gasfitter qualified or licensed by the State of Massachusetts.
- If using a ball valve, it shall be a T-handle type.
- A flexible gas connector, when used, must not exceed 3 feet.

⚠ WARNING

Tip Over Hazard

A child or adult can tip the range and be killed.

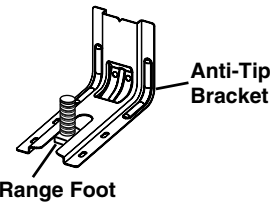
Install anti-tip bracket to floor or wall per installation instructions.

Slide range back so rear range foot is engaged in the slot of the anti-tip bracket.

Re-engage anti-tip bracket if range is moved.

Do not operate range without anti-tip bracket installed and engaged.

Failure to follow these instructions can result in death or serious burns to children and adults.



To verify the anti-tip bracket is installed and engaged:

- Slide range forward.
- Look for the anti-tip bracket securely attached to floor or wall.
- Slide range back so rear range foot is under anti-tip bracket.
- See installation instructions for details.

INSTALLATION REQUIREMENTS

Tools and Parts

Gather the required tools and parts before starting installation. Read and follow the instructions provided with any tools listed here.

Tools needed

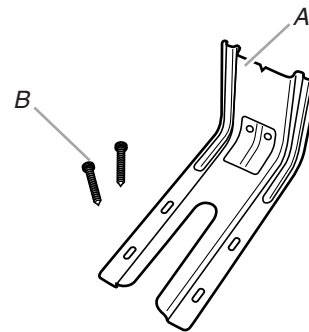
- Tape measure
- Flat-blade screwdriver
- Phillips screwdriver
- Level
- Hand or electric drill
- Hammer
- Wrench or pliers
- Pipe wrench
- 1⁵/₁₆" combination wrench
- 1/4" drive ratchet
- 3/8" nut driver
- 1/8" (3.2 mm) drill bit (for wood floors)
- Marker or pencil
- Pipe-joint compound resistant to LP gas
- Noncorrosive leak-detection solution

For LP/Natural Gas Conversions

- 3/8" combination wrench
- 1/2" combination wrench
- 5/8" combination wrench
- 7 mm (9/32") nut driver
- Quadrex^{®†} or Phillips screwdriver
- Masking tape

Parts supplied

Check that all parts are included.



A. Anti-tip bracket
B. #12 x 1 5/8" screws (2)

- Literature bag
- Conversion orifice spuds (inside bag containing literature)
- Anti-tip bracket must be securely mounted to floor or wall. Thickness of flooring may require longer screws to anchor bracket to floor.

Parts needed

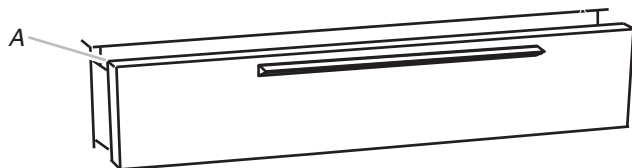
Check local codes and consult gas supplier. Check existing gas supply and electrical supply. See "Electrical Requirements" and "Gas Supply Requirements" sections.

†© QUADREX is a registered trademark of NLW Holdings, Inc.

Location Requirements

IMPORTANT: Observe all governing codes and ordinances. Do not obstruct flow of combustion and ventilation air.

- It is the installer's responsibility to comply with installation clearances specified on the model/serial rating plate. The model/serial rating plate is located on the oven frame behind the left side of the broiler door.



A. Model/serial rating plate location

- The range should be located for convenient use in the kitchen.
- Recessed installations must provide complete enclosure of the sides and rear of the range.
- To eliminate the risk of burns or fire by reaching over heated surface units, cabinet storage space located above the surface units should be avoided. If cabinet storage is to be provided, the risk can be reduced by installing a range hood that projects horizontally a minimum of 5" (12.7 cm) beyond the bottom of the cabinets.
- All openings in the wall or floor where range is to be installed must be sealed.
- Do not seal the range to the side cabinets.
- Cabinet opening dimensions that are shown must be used. Given dimensions are minimum clearances.
- The anti-tip bracket must be installed. To install the anti-tip bracket shipped with the range, see "Install Anti-Tip Bracket" section.
- Grounded electrical supply is required. See "Electrical Requirements" section.
- Proper gas supply connection must be available. See "Gas Supply Requirements" section.
- Contact a qualified floor covering installer to check that the floor covering can withstand at least 200°F (93°C).
- Use an insulated pad or ¼" (0.64 cm) plywood under range if installing range over carpeting.

IMPORTANT: To avoid damage to your cabinets, check with your builder or cabinet supplier to make sure that the materials used will not discolor, delaminate or sustain other damage. This oven has been designed in accordance with the requirements of UL and CSA International and complies with the maximum allowable wood cabinet temperatures of 194°F (90°C).

Mobile Home - Additional Installation Requirements

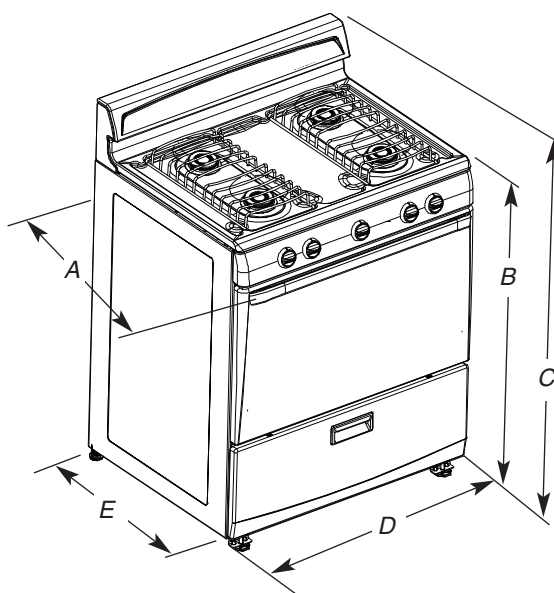
The installation of this range must conform to the Manufactured Home Construction and Safety Standard, Title 24 CFR, Part 3280 (formerly the Federal Standard for Mobile Home Construction and Safety, Title 24, HUD Part 280). When such standard is not applicable, use the Standard for Manufactured Home Installations, ANSI A225.1/NFPA 501A or with local codes.

In Canada, the installation of this range must conform with the current standards CAN/CSA-A240 - latest edition, or with local codes.

Mobile home installations require:

- When this range is installed in a mobile home, it must be secured to the floor during transit. Any method of securing the range is adequate as long as it conforms to the standards listed above.

Product Dimensions



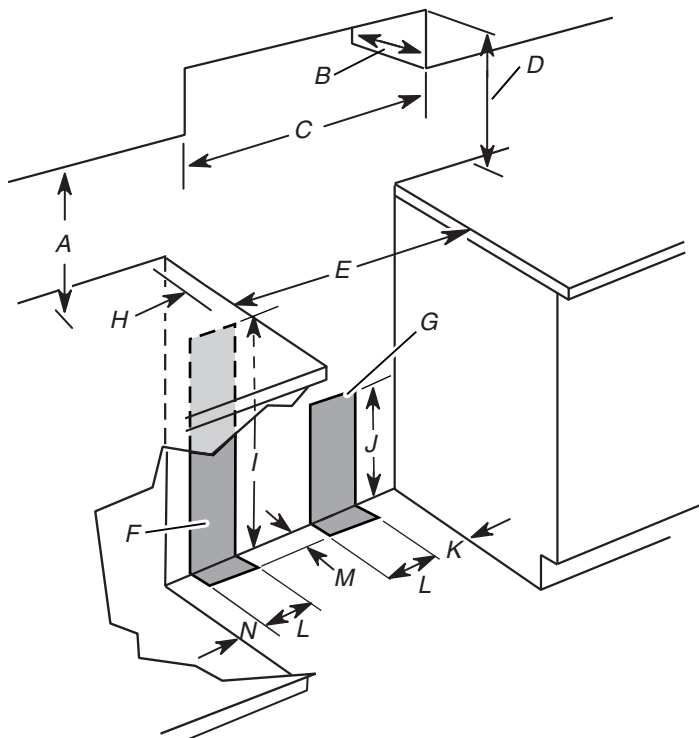
- A. 26¼" (67.9 cm) depth with handle
- B. 36" (91.4 cm)
- C. 42" (106.7 cm) overall height
- D. 29⅞" (75.9 cm)
- E. 24¼" (61.6 cm)

Cabinet Dimensions

Cabinet opening dimensions shown are for 25" (64.0 cm) countertop depth, 24" (61.0 cm) base cabinet depth and 36" (91.4 cm) countertop height.

If the cabinet depth is greater than 24" (61.0 cm), oven frame must extend beyond cabinet fronts by ½" (1.3 cm) minimum.

IMPORTANT: If installing a range hood or microwave hood combination above the range, follow the range hood or microwave hood combination installation instructions for dimensional clearances above the cooktop surface.



- A. 18" (45.7 cm) min. clearance upper side cabinet to countertop
- B. 13" (33.0 cm) max. upper cabinet depth
- C. 30" (76.2 cm) min. cabinet opening width
- D. For minimum clearance to top of cooktop, see NOTE*.
- E. 30 1/8" (76.5 cm) min. opening width
- F. This shaded area recommended for installation of electrical outlet.
- G. This shaded area recommended for installation of rigid gas pipe.
- H. 2" (5.1 cm) min. countertop space to side wall or other combustible material
- I. 24" (61.0 cm)
- J. 10" (25.4 cm)
- K. 8" (20.3 cm)
- L. 5" (12.7 cm)
- M. 2" (5.1 cm)
- N. 3" (7.6 cm)

*NOTE: 24" (61.0 cm) minimum when bottom of wood or metal cabinet is covered by not less than ¼" (0.64 cm) flame retardant millboard covered with not less than No. 28 MSG sheet steel, 0.015" (0.4 mm) stainless steel, 0.024" (0.6 mm) aluminum or 0.020" (0.5 mm) copper.

30" (76.2 cm) minimum clearance between the top of the cooking platform and the bottom of an uncovered wood or metal cabinet.

Electrical Requirements

⚠ WARNING



Electrical Shock Hazard

Plug into a grounded 3 prong outlet.

Do not remove ground prong.

Do not use an adapter.

Do not use an extension cord.

Failure to follow these instructions can result in death, fire, or electrical shock.

IMPORTANT: The range must be electrically grounded in accordance with local codes and ordinances, or in the absence of local codes, with the National Electrical Code, ANSI/NFPA 70 or Canadian Electrical Code, CSA C22.1.

If codes permit and a separate ground wire is used, it is recommended that a qualified electrical installer determine that the ground path is adequate.

A copy of the above code standards can be obtained from:

National Fire Protection Association
1 Batterymarch Park
Quincy, MA 02169-7471

CSA International
8501 East Pleasant Valley Road
Cleveland, OH 44131-5575

- A 120 volt, 60 Hz., AC only, 15-amp fused, electrical circuit is required. A time-delay fuse or circuit breaker is also recommended. It is recommended that a separate circuit serving only this range be provided.
- This range is equipped with a power supply cord having a 3 prong ground plug. To minimize possible shock hazard the cord must be plugged into a grounded 3 prong outlet.
- Electronic ignition systems operate within wide voltage limits, but proper grounding and polarity are necessary. Check that the outlet provides 120-volt power and is correctly grounded. This range is equipped with an electronic ignition system that will not operate if plugged into an outlet that is not properly polarized.
- The wiring diagram is located on the back of the range in a clear plastic bag.

NOTE: The metal chassis of the range must be grounded in order for the control panel to work. If the metal chassis of the range is not grounded, no keypads will operate. Check with a qualified electrician if you are in doubt as to whether the metal chassis of the range is grounded.

Gas Supply Requirements

⚠ WARNING



Explosion Hazard

Use a new CSA International approved gas supply line.

Install a shut-off valve.

Securely tighten all gas connections.

If connected to LP, have a qualified person make sure gas pressure does not exceed 14" (36 cm) water column.

Examples of a qualified person include:

**licensed heating personnel,
authorized gas company personnel, and
authorized service personnel.**

Failure to do so can result in death, explosion, or fire.

Observe all governing codes and ordinances.

IMPORTANT: This installation must conform with all local codes and ordinances. In the absence of local codes, installation must conform with American National Standard, National Fuel Gas Code ANSI Z223.1 - latest edition or CAN/CGA B149 - latest edition.

IMPORTANT: Leak testing of the range must be conducted according to the manufacturer's instructions.

Type of Gas

Natural gas:

This range is design-certified by CSA International for use with Natural gas or, after proper conversion, for use with LP gas.

- This range is factory set for use with Natural gas. See "Gas Conversions" section. The model/serial rating plate located on the oven frame behind the left side of the broiler door has information on the types of gas that can be used. If the types of gas listed do not include the type of gas available, check with the local gas supplier.

LP gas conversion:

Conversion must be done by a qualified service technician.

No attempt shall be made to convert the appliance from the gas specified on the model/serial rating plate for use with a different gas without consulting the serving gas supplier. See "Gas Conversions" section.

Gas Supply Line

- Provide a gas supply line of 3/4" (1.9 cm) rigid pipe to the range location. A smaller size pipe on longer runs may result in insufficient gas supply. With LP gas, piping or tubing size can be 1/2" (1.3 cm) minimum. Usually, LP gas suppliers determine the size and materials used in the system.

NOTE: Pipe-joint compounds that resist the action of LP gas must be used. Do not use TEFLON[†] tape.

Flexible metal appliance connector:

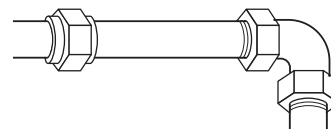
- If local codes permit, a new CSA design-certified, 4 to 5 ft (122 to 152.4 cm) long, 1/2" (1.3 cm) or 3/4" (1.9 cm) I.D., flexible metal appliance connector may be used for connecting range to the gas supply line.



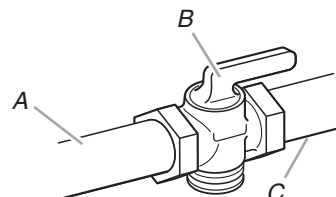
- A 1/2" (1.3 cm) male pipe thread is needed for connection to the female pipe threads of the inlet to the appliance pressure regulator.
- Do not kink or damage the flexible metal tubing when moving the range.

Rigid pipe connection:

The rigid pipe connection requires a combination of pipe fittings to obtain an in-line connection to the range. The rigid pipe must be level with the range connection. All strains must be removed from the supply and fuel lines so range will be level and in line.



- **Must include a shutoff valve:**
The supply line must be equipped with a manual shutoff valve. This valve should be located in the same room but external to the range opening, such as an adjacent cabinet. It should be in a location that allows ease of opening and closing. Do not block access to shutoff valve. The valve is for turning on or shutting off gas to the range.



A. Gas supply line
B. Shutoff valve "open" position
C. To range

Gas Pressure Regulator

The gas pressure regulator supplied with this range must be used. The inlet pressure to the regulator should be as follows for proper operation:

Natural gas:

Minimum pressure: 5" WCP

Maximum pressure: 14" WCP

LP gas:

Minimum pressure: 11" WCP

Maximum pressure: 14" WCP

Contact local gas supplier if you are not sure about the inlet pressure.

[†]TEFLON is a registered trademark of E.I. Du Pont De Nemours and Company.

Burner Input Requirements

Input ratings shown on the model/serial rating plate are for elevations up to 2,000 ft (609.6 m).

For elevations above 2,000 ft (609.6 m), ratings are reduced at a rate of 4% for each 1,000 ft (304.8 m) above sea level (not applicable for Canada).

Gas Supply Pressure Testing

Gas supply pressure for testing regulator must be at least 1" water column pressure above the manifold pressure shown on the model/serial rating plate.

Line pressure testing above ½ psi gauge (14" WCP)

The range and its individual shutoff valve must be disconnected from the gas supply piping system during any pressure testing of that system at test pressures in excess of ½ psi (3.5 kPa).

Line pressure testing at ½ psi gauge (14" WCP) or lower

The range must be isolated from the gas supply piping system by closing its individual manual shutoff valve during any pressure testing of the gas supply piping system at test pressures equal to or less than ½ psi (3.5 kPa).

INSTALLATION INSTRUCTIONS

Unpack Range

⚠ WARNING

Excessive Weight Hazard

**Use two or more people to move and install range.
Failure to do so can result in back or other injury.**

1. Do not use oven door handle to lift or move the range
2. Remove shipping materials, tape and film from range. Keep cardboard bottom under range.
3. Remove oven racks and parts package from inside oven.
4. To place range on its back, take 4 cardboard corners from the carton. Stack one cardboard corner on top of another. Repeat with the other 2 corners. Place them lengthwise on the floor behind the range to support the range when it is laid on its back.
5. Using 2 or more people, firmly grasp the range and gently lay it on its back on the cardboard corners.
6. Pull cardboard bottom firmly to remove.
7. Use an adjustable wrench to loosen the leveling legs. Adjust the leveling legs to the correct height. Leveling legs can be loosened to add up to a maximum of 1" (2.5 cm). A minimum of 3/16" (0.5 cm) is needed to engage the anti-tip bracket.

NOTE: If height adjustment is made when range is standing, tilt the range back to adjust the front legs, then tilt forward to adjust the rear legs.

8. Place cardboard or hardboard in front of range. Using 2 or more people, stand range back up onto cardboard or hardboard.

Install Anti-Tip Bracket

⚠ WARNING



Tip Over Hazard

A child or adult can tip the range and be killed.

Install anti-tip bracket to floor or wall per installation instructions.

Slide range back so rear range foot is engaged in the slot of the anti-tip bracket.

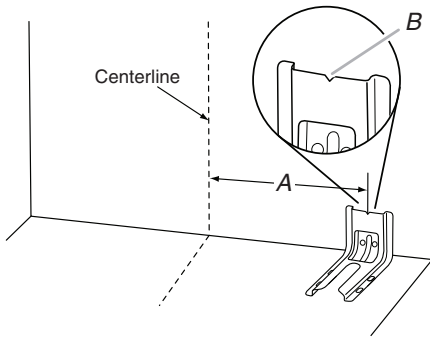
Re-engage anti-tip bracket if range is moved.

Do not operate range without anti-tip bracket installed and engaged.

Failure to follow these instructions can result in death or serious burns to children and adults.

1. Remove the anti-tip bracket from where it is attached inside the oven with a wire tie.
2. Determine which mounting method to use: floor or wall.
If you have a stone or masonry floor, you can use the wall mounting method. If you are installing the range in a mobile home, you must secure the range to the floor.

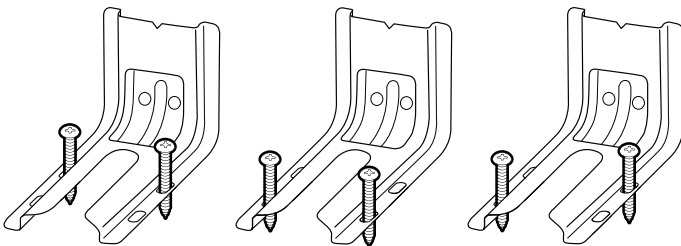
- Determine and mark centerline of the cutout space. The mounting can be installed on either the left side or right side of the cutout. Position mounting bracket against the wall in the cutout so that the V-notch of the bracket is 12⁵³/₆₄" (32.6 cm) from centerline as shown.



A. 12⁵³/₆₄" (32.6 cm)
B. Bracket V-notch

- Drill two 1/8" (3 mm) holes that correspond to the bracket holes of the determined mounting method. See the following illustrations.

Floor Mounting

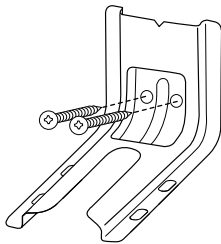


Rear position

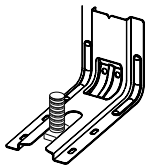
Front position

Diagonal (2 options)

Wall Mounting



- Using the Phillips screwdriver, mount anti-tip bracket to the wall or floor with the two #12 x 1⁵/₈" screws provided.
- Move range close enough to opening to allow for final gas and electrical connections. Remove shipping base, cardboard or hardboard from under range.
- Move range into its final location, making sure rear leveling leg slides into anti-tip bracket.



- Move range forward onto shipping base, cardboard or hardboard to continue installing the range using the following installation instructions.

Make Gas Connection

⚠ WARNING



Explosion Hazard

Use a new CSA International approved gas supply line.
Install a shut-off valve.

Securely tighten all gas connections.

If connected to LP, have a qualified person make sure gas pressure does not exceed 14" (36 cm) water column.

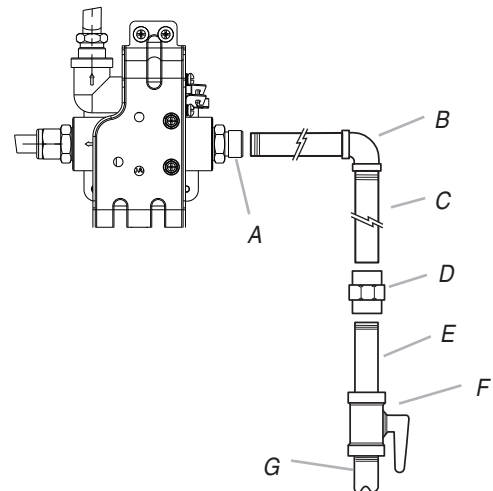
Examples of a qualified person include:
licensed heating personnel,
authorized gas company personnel, and
authorized service personnel.

Failure to do so can result in death, explosion, or fire.

Typical rigid pipe connection

A combination of pipe fittings must be used to connect the range to the existing gas line. Your connections may be different, according to the supply line type, size and location.

- Apply pipe-joint compound made for use with LP gas to all pipe thread connections.
- Using a pipe wrench to tighten, connect the gas supply to the range.



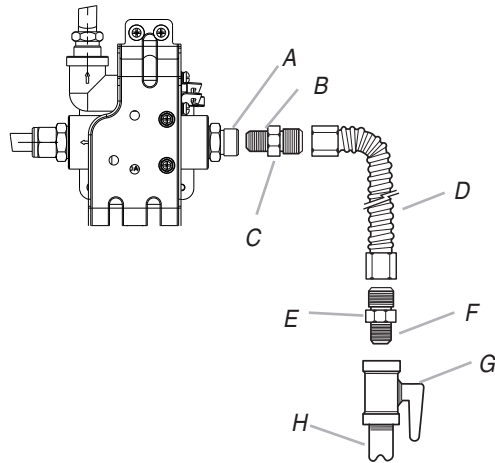
A. Pressure regulator connection fitting
B. 90° elbow
C. Black iron pipe

D. Union
E. Nipple
F. Manual shutoff valve
G. 1/2" or 3/4" gas pipe

Typical flexible connection

- Apply pipe-joint compound made for use with LP gas to the smaller thread ends of the flexible connector adapters (see B and F in the following illustration).
- Attach one adapter to the gas pressure regulator and the other adapter to the gas shutoff valve. Tighten both adapters.

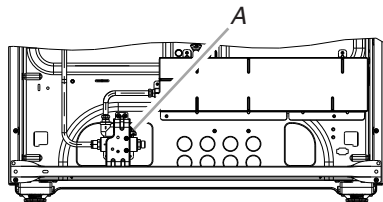
- Use a combination wrench and pliers to attach the flexible connector to the adapters. Check that connector is not kinked.



- A. Pressure regulator connection fitting
 B. Use pipe-joint compound.
 C. Adapter
 D. Flexible connector
 E. Adapter
 F. Use pipe-joint compound.
 G. Manual shutoff valve
 H. 1/2" or 3/4" gas pipe

Complete Connection

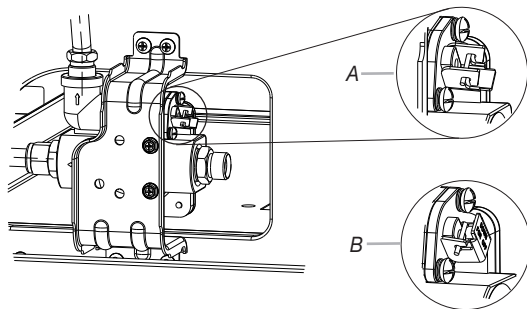
- Locate gas pressure regulator in the back of the range.



A. Gas pressure regulator

IMPORTANT: Do not remove the gas pressure regulator.

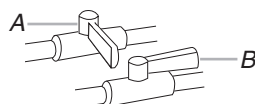
- Check that the gas pressure regulator shutoff valve is in the "ON" position.



A. "On" position
 B. "Off" position

IMPORTANT: The factory default setting is the "ON" position. If the range does not work, verify that the valve is in the "ON" position.

- Open the manual shutoff valve in the gas supply line. The valve is open when the handle is parallel to the gas pipe.



A. Closed valve
 B. Open valve

- Test all connections by brushing on an approved noncorrosive leak-detection solution. Bubbles will show a leak. Correct any leak found.
- Remove cooktop burner caps and grates from parts package. Align notches in burner caps with pins in burner base. Burner caps should be level when properly positioned. If burner caps are not properly positioned, surface burners will not light. Place burners, burner caps and grates on the cooktop.

⚠ WARNING



Electrical Shock Hazard

Plug into a grounded 3 prong outlet.

Do not remove ground prong.

Do not use an adapter.

Do not use an extension cord.

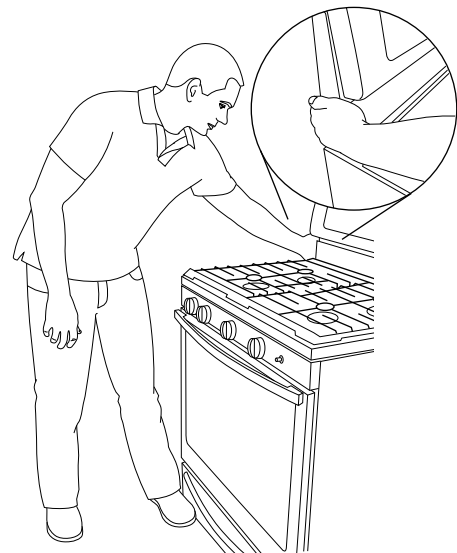
Failure to follow these instructions can result in death, fire, or electrical shock.

- Plug into a grounded 3 prong outlet.

Verify Anti-Tip Bracket Is Installed and Engaged

- Place the outside of your foot against the bottom front of the broiler, and grasp the lower right or left side of the control panel as shown.

NOTE: If your countertop is mounted with a backsplash, it may be necessary to grasp the range higher than is shown in the illustration.



- Slowly attempt to tilt the range forward.

If you encounter immediate resistance, the range foot is engaged in the anti-tip bracket.

- If the rear of the range lifts more than 1/2" (1.3 cm) off the floor without resistance, stop tilting the range and lower it gently back to the floor. The range foot is not engaged in the anti-tip bracket.

IMPORTANT: If there is a snapping or popping sound when lifting the range, the range may not be fully engaged in the bracket. Check to see if there are obstructions keeping the range from sliding to the wall or keeping the range foot from sliding into the bracket. Verify that the bracket is held securely in place by the mounting screws.

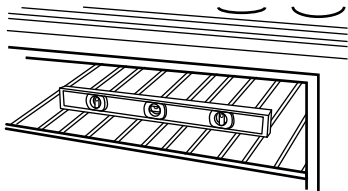
- Slide the range forward, and verify that the anti-tip bracket is securely attached to the floor or wall.
- Slide range back so the rear range foot is inserted into the slot of the anti-tip bracket.

IMPORTANT: If the back of the range is more than 2" (5.1 cm) from the mounting wall, the rear range foot may not engage the bracket. Slide the range forward and determine if there is an obstruction between the range and the mounting wall. Changes to the gas supply must be performed by a qualified service technician. If you need assistance or service, refer to the "Assistance or Service" section of the Use and Care Guide for contact information.

- Repeat steps 1 and 2 to ensure that the range foot is engaged in the anti-tip bracket.
If the rear of the range lifts more than ½" (1.3 cm) off the floor without resistance, the anti-tip bracket may not be installed correctly. Do not operate the range without anti-tip bracket installed and engaged. Please reference the "Assistance or Service" section of the Use and Care Guide, or the cover or "Warranty" section of the User Instructions, to contact service.

Level Range

- Place a standard flat rack in oven.
- Place level on the rack and check levelness of the range, first side to side; then front to back.



- If range is not level, pull range forward until rear leveling leg is removed from the anti-tip bracket.
- Use a ⅜" drive ratchet and slip-joint pliers to adjust leveling legs up or down until the range is level.
- Push range back into position.
- Check that rear leveling leg is engaged in the anti-tip bracket.

NOTE: Range must be level for satisfactory baking performance.

Electronic Ignition System

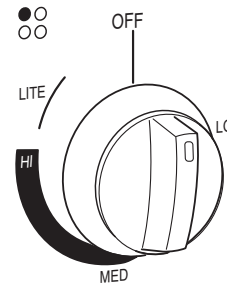
Initial lighting and gas flame adjustments

Cooktop and oven burners use electronic igniters in place of standing pilots. When the cooktop control knob is turned to the "LITE" position, the system creates a spark to light the burner. This sparking continues until the control knob is turned to the desired setting.

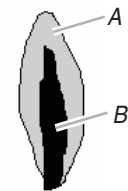
When the oven control is turned to the desired setting, a hot surface igniter heats to a bright orange and ignites the gas. No sparking occurs. The glow bar remains on while the burner operates.

Check Operation of Cooktop Burners

- If control panel and knobs were removed earlier, reinstall knobs.
- Push in and turn each surface unit control knob to the "LITE" position. The flame should light within 4 seconds.



- Turn control knob to the "HI" position after burner lights.
- Check each cooktop burner for proper flame. The small inner cone should have a very distinct blue flame ¼" (0.64 cm) to ½" (1.3 cm) long. The outer cone is not as distinct as the inner cone.

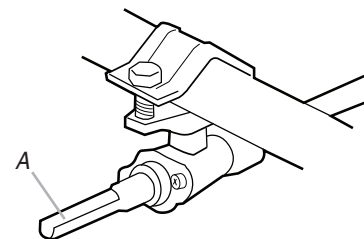


A. Outer cone
B. Inner cone

- Turn the control knob quickly to the "LO" position after the burner lights. If the flame goes out, turn the control knob to the "OFF" position.
- Check each cooktop burner for proper low flame. The low flame should be a minimum, steady blue flame. The flame size should be ¼" to ⅜" (0.64 cm to 0.95 cm) high.

If the low flame needs adjusting:

- With the burner flame on, turn control knob to the "LO" position and remove control knob.
- Insert a small flat-blade screwdriver into the valve stem. Turn the valve adjusting screw to obtain the smallest flame that will not go out when the control of a cold burner is quickly turned from "HI" to "LO." Turn right to decrease flame height. Turn left to increase flame height. Repeat for other cooktop burners as needed.

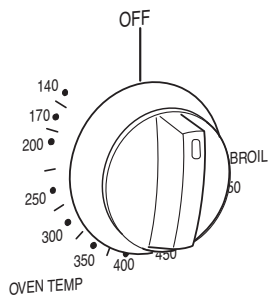


A. Valve stem

- Replace control knob.

Check Operation of Oven/Broil Burner

1. Open broiler door.
2. Press in and turn the oven control knob to 350°F.



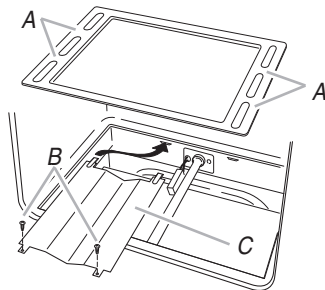
- The oven pilot should now be larger with the flame burning against a small metal bulb.
- The oven burner should light in 20-40 seconds; this delay is normal. The oven valve requires a certain time before it will open and allow gas to flow.

To avoid damaging the hot surface igniter, do not insert any object into the openings of the shield that surrounds the igniter. Do not clean that area.

3. Check the oven burner for proper flame. The flame should be ½" (1.3 cm) long, with inner cone of bluish-green. The outer mantle should be dark blue and should be clean and soft in character. No yellow tips (not enough air), blowing or lifting (too much air) of flame should occur.

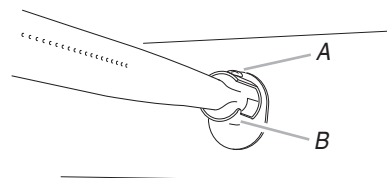
If the flame needs adjusting:

1. Turn the oven off. Wait for the oven burner to cool down.
2. Open oven door and remove oven racks, oven tray, and flame spreader and set aside.



A. Oven tray (lift up at area shown to remove)
B. Screws
C. Flame spreader

3. Locate the air shutter near the rear wall of oven and loosen the shutter screw.



A. Shutter screw
B. Air shutter

4. Adjust the air shutter.
5. Turn the oven back on and check for proper flame. If the flame is still not properly adjusted, turn the oven off, wait for the oven burner to cool down and repeat Step 4 until flame is properly adjusted.
6. When the flame has been properly adjusted, turn the oven off and wait for the burner to cool down.
7. Tighten the shutter screw.
8. Reinstall flame spreader and oven tray. Reinstall the oven racks.
9. Close the oven door.
10. Close the broiler door.

Complete Installation

1. Check that all parts are now installed. If there is an extra part, go back through the steps to see which step was skipped.
2. Check that you have all of your tools.
3. Dispose of/recycle all packaging materials.
4. Check that the range is level. See the "Level Range" section.
5. Use a mild solution of liquid household cleaner and warm water to remove waxy residue caused by shipping material. Dry thoroughly with a soft cloth. For more information, see the "Range Care" section of the Use and Care Guide.
6. Read the Use and Care Guide.
7. Turn on surface burners and oven. See the Use and Care Guide for specific instruction on range operation.

If range does not operate, check the following:

- Household fuse is intact and tight, or circuit breaker has not tripped.
 - Range is plugged into a grounded 3 prong outlet.
 - Electrical supply is connected.
 - See the "Troubleshooting" section of the Use and Care Guide.
8. When the range has been on for 5 minutes, check for heat. If the range is cold, turn off the range and check that the gas supply line shutoff valve is open.
 - If the gas supply line shutoff valve is closed, open it, then repeat the 5-minute test as outlined above.
 - If the gas supply line shutoff valve is open, turn to "closed" position and contact a qualified technician.

If you need Assistance or Service:

Please reference the "Assistance or Service" section of the Use and Care Guide or contact the dealer from whom you purchased your range.

GAS CONVERSIONS

Gas conversions from Natural gas to LP gas or from LP gas to Natural gas must be done by a qualified installer.

⚠ WARNING



Explosion Hazard

Use a new CSA International approved gas supply line.

Install a shut-off valve.

Securely tighten all gas connections.

If connected to LP, have a qualified person make sure gas pressure does not exceed 14" (36 cm) water column.

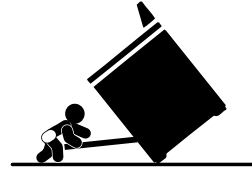
Examples of a qualified person include:

licensed heating personnel,
authorized gas company personnel, and
authorized service personnel.

Failure to do so can result in death, explosion, or fire.

LP Gas Conversion

⚠ WARNING



Tip Over Hazard

A child or adult can tip the range and be killed.

Install anti-tip bracket to floor or wall per installation instructions.

Slide range back so rear range foot is engaged in the slot of the anti-tip bracket.

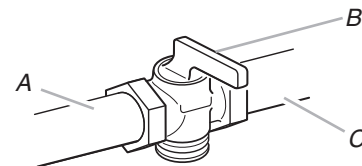
Re-engage anti-tip bracket if range is moved.

Do not operate range without anti-tip bracket installed and engaged.

Failure to follow these instructions can result in death or serious burns to children and adults.

To Convert Gas Pressure Regulator

1. Turn manual shutoff valve to the "closed" position.

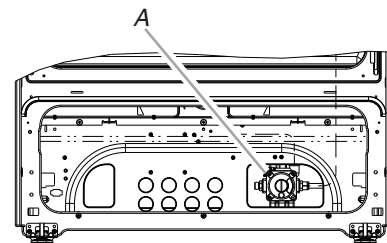


A. To range

B. Manual shutoff valve "closed" position

C. Gas supply line

2. Unplug range or disconnect power.
3. Open broiler door and remove broiler pan. The gas pressure regulator is located in the back right hand corner of the broiler compartment.



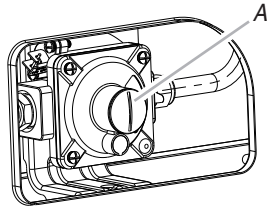
A. Gas pressure regulator

IMPORTANT: Do not remove the gas pressure regulator.

NOTE: Do not remove the spring beneath the cap.

- Remove the cap from the gas pressure regulator using a flat-blade screwdriver.

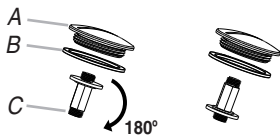
NOTE: Make sure sealing washer remains in the same position.



A. Cap

- To convert to LP gas, unscrew the plastic adjustment screw by hand, turn it over, and screw it in again.

Inlet pressure to Natural gas **Inlet pressure to LP gas**

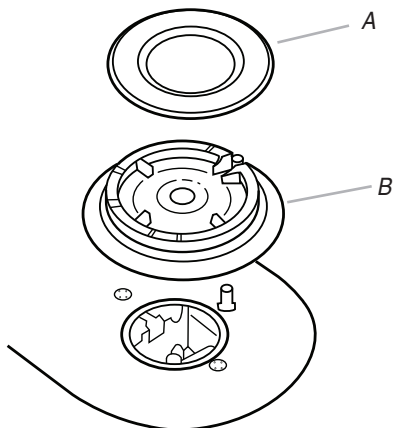


A. Cap
B. Sealing washer
C. Adjustment screw

- Reinstall the cap.

To Convert Surface Burners

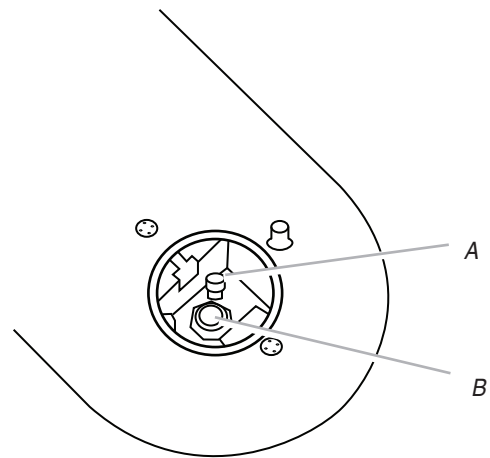
- Remove burner grate, burner caps and burners.



A. Burner cap
B. Burner

- Locate LP gas orifice spuds for top burners in the literature bag included with the range. Three LP gas spuds are stamped "88" and one "96."
- Remove Natural gas orifice spuds using a 7 mm combination wrench.

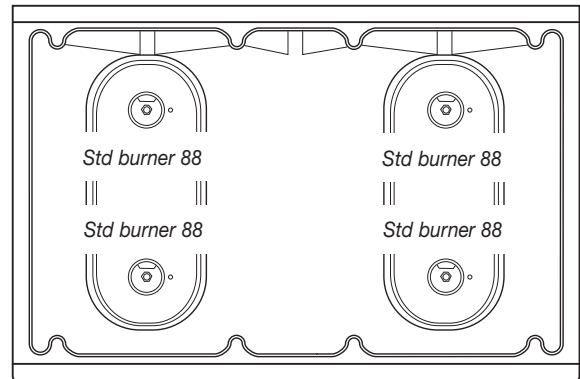
- Install LP gas orifice spuds using a 7 mm combination wrench.



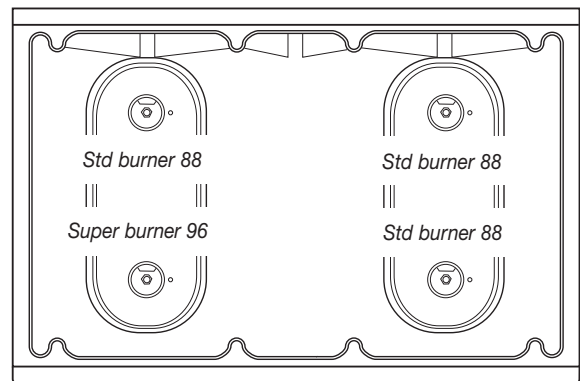
A. Spud
B. Holder

NOTE: Depending on model, the range cooktop may be equipped with 4 standard burners or 3 standard burners and 1 super burner. Spud size and location remain the same.

For models with 4 standard burners:



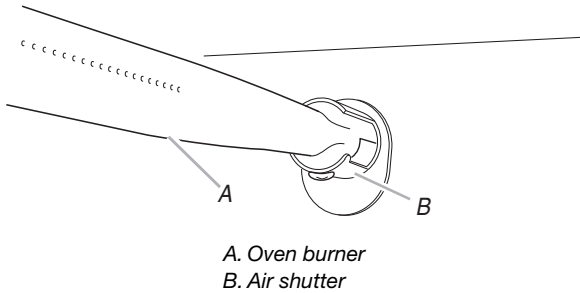
For models with 3 standard burners and 1 super burner:



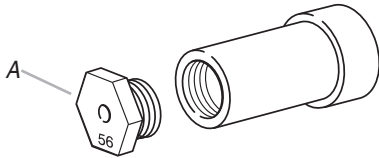
- Place the Natural gas orifice spuds in the parts bag for future use and keep with the bag containing literature.
- Reinstall burners, burner caps and burner grates.

To Convert Oven Burner

1. Open the oven door and remove oven racks, oven tray and flame spreader and set aside.
2. Lift oven burner. The orifice spud is behind the oven burner air shutter.



3. Locate LP gas orifice spud stamped "56" in the package containing literature supplied with the range.
4. Use a $\frac{3}{8}$ " combination wrench and remove the Natural gas orifice spud.
5. Install the number "56" LP gas spud.
IMPORTANT: Do not overtighten.



A. LP oven orifice spud stamped with "56"

6. Place Natural gas oven burner spud in plastic parts bag along with Natural gas cooktop burner spuds for future use and keep with the package containing literature.
7. Reinstall oven burner.
8. Reinstall oven racks, oven tray and flame spreader.

Complete Conversion

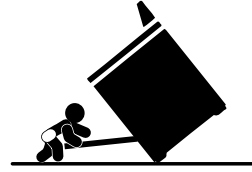
1. Refer to the "Make Gas Connection" section for properly connecting the range to the gas supply.
2. Turn the manual shutoff valve in the gas supply line to the open position.
3. Refer to "Check Operation of Cooktop Burners" in the "Electronic Ignition System" section for proper burner ignition, operation and burner flame adjustments.
IMPORTANT: You may have to adjust the "LO" setting for each cooktop burner.

Checking for proper cooktop and oven burner flames is very important. The small inner cone should have a very distinct blue flame $\frac{1}{4}$ " to $\frac{1}{2}$ " (0.64 cm to 1.3 cm) long. The outer cone is not as distinct as the inner cone. LP gas flames have a slightly yellow tip.

4. Close the oven door and turn the knob to "OFF."
5. Refer to the "Complete Installation" section to complete this procedure.

Natural Gas Conversion

⚠ WARNING



Tip Over Hazard

A child or adult can tip the range and be killed.

Install anti-tip bracket to floor or wall per installation instructions.

Slide range back so rear range foot is engaged in the slot of the anti-tip bracket.

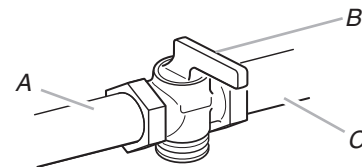
Re-engage anti-tip bracket if range is moved.

Do not operate range without anti-tip bracket installed and engaged.

Failure to follow these instructions can result in death or serious burns to children and adults.

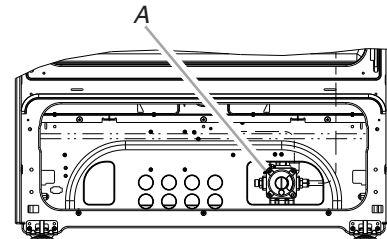
To Convert Gas Pressure Regulator

1. Turn manual shutoff valve to the "closed" position.



A. To range
B. Manual shutoff valve "closed" position
C. Gas supply line

2. Unplug range or disconnect power.
3. Open broiler door and remove broiler pan. The gas pressure regulator is located in the back right hand corner of the broiler compartment.



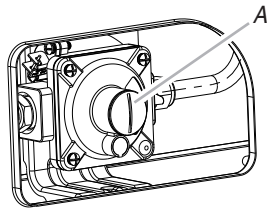
A. Gas pressure regulator

IMPORTANT: Do not remove the gas pressure regulator.

NOTE: Do not remove the spring beneath the cap.

- Remove the cap from the gas pressure regulator using a flat-blade screwdriver.

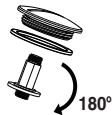
NOTE: Make sure sealing washer remains in the same position.



A. Cap

- To convert to Natural gas, unscrew the plastic adjustment screw by hand, turn it over, and screw it in again.

Inlet pressure to LP gas



Inlet pressure to Natural gas

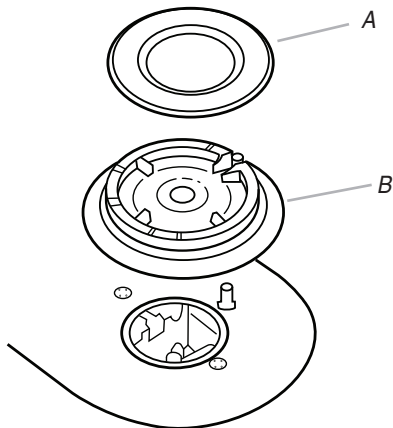


A. Cap
B. Sealing washer
C. Adjustment screw

- Reinstall the cap.

To Convert Surface Burners

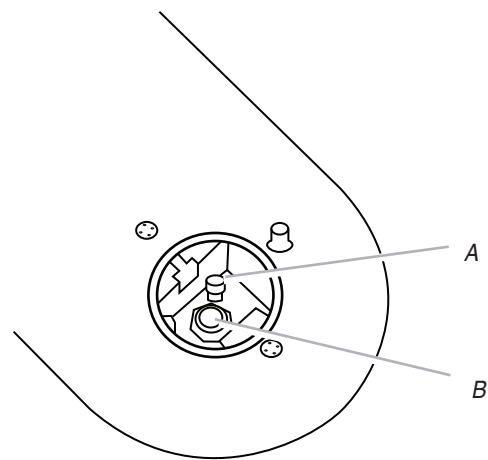
- Remove burner grate, burner caps and burners.



A. Burner cap
B. Burner

- Locate the Natural gas orifice spuds for top burners in the package containing literature included with the range. Three Natural gas spuds are stamped "149" and one "165."
- Remove the LP gas orifice spuds using a 7 mm combination wrench.

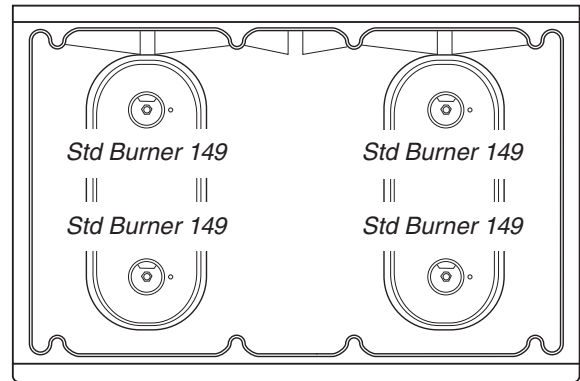
- Install the Natural gas orifice spuds using a 7 mm combination wrench.



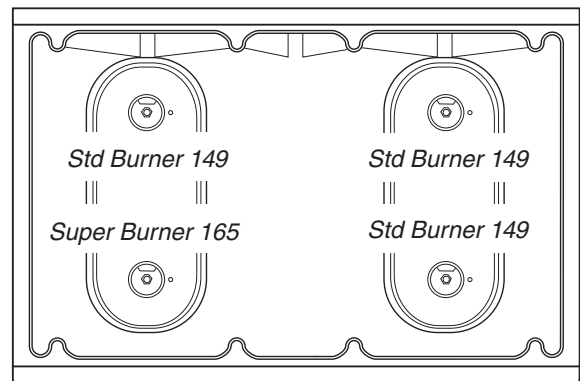
A. Spud
B. Holder

NOTE: Depending on model, the range cooktop may be equipped with 4 standard burners or 3 standard burners and 1 super burner. Spud size and location remain the same.

For models with 4 standard burners:



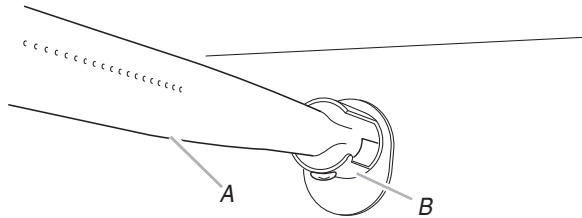
For models with 3 standard burners and 1 super burner:



- Place LP gas orifice spuds in the parts bag for future use and keep with the package containing literature.
- Reinstall burners, burner caps and burner grates.

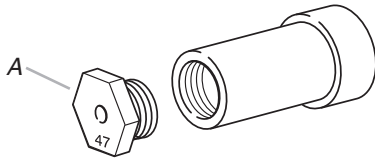
To Convert Oven Burner

1. Open the oven door and remove oven racks, oven tray, and flame spreader and set aside.
2. Lift oven burner. The orifice spud is behind the oven burner air shutter.



A. Oven burner
B. Air shutter

3. Locate Natural gas orifice spud stamped "47" in the package containing literature supplied with the range.
4. Use a $\frac{3}{8}$ " combination wrench and remove the LP gas orifice spud.
5. Install the number "47" LP gas spud.



A. Natural gas oven orifice spud stamped with "47"

IMPORTANT: Do not overtighten.

6. Place LP gas oven burner spud in plastic parts bag along with LP gas cooktop burner spuds for future use and keep with the bag containing literature.
 7. Reinstall oven burner.
 8. Reinstall oven racks, oven tray and flame spreader.
-

Complete Conversion

1. Refer to the "Make Gas Connection" section for properly connecting the range to the gas supply.
2. Turn the manual shutoff valve in the gas supply line to the open position.
3. Refer to "Check Operation of Cooktop Burners" in the "Electronic Ignition System" section for proper burner ignition, operation and burner flame adjustments.

IMPORTANT: You may have to adjust the "LO" setting for each cooktop burner.

Checking for proper cooktop and oven burner flames is very important. The small inner cone should have a very distinct blue flame $\frac{1}{4}$ " to $\frac{1}{2}$ " (0.64 cm to 1.3 cm) long. The outer cone is not as distinct as the inner cone. Natural gas flames do not have yellow tips.

4. Close the oven door and turn the knob to "OFF."
5. Refer to the "Complete Installation" section to complete this procedure.

SÉCURITÉ DE LA CUISINIÈRE

Votre sécurité et celle des autres est très importante.

Nous donnons de nombreux messages de sécurité importants dans ce manuel et sur votre appareil ménager. Assurez-vous de toujours lire tous les messages de sécurité et de vous y conformer.



Voici le symbole d'alerte de sécurité.

Ce symbole d'alerte de sécurité vous signale les dangers potentiels de décès et de blessures graves à vous et à d'autres.

Tous les messages de sécurité suivront le symbole d'alerte de sécurité et le mot "DANGER" ou "AVERTISSEMENT". Ces mots signifient :

⚠ DANGER

Risque possible de décès ou de blessure grave si vous ne suivez pas immédiatement les instructions.

⚠ AVERTISSEMENT

Risque possible de décès ou de blessure grave si vous ne suivez pas les instructions.

Tous les messages de sécurité vous diront quel est le danger potentiel et vous disent comment réduire le risque de blessure et ce qui peut se produire en cas de non-respect des instructions.

AVERTISSEMENT : Si les renseignements dans ce manuel ne sont pas exactement observés, un incendie ou une explosion peut survenir, causant des dommages au produit, des blessures ou un décès.

- Ne pas entreposer ni utiliser de l'essence ou d'autres vapeurs ou liquides inflammables à proximité de cet appareil ou de tout autre appareil électroménager.
- QUE FAIRE DANS LE CAS D'UNE ODEUR DE GAZ :
 - Ne pas tenter d'allumer un appareil.
 - Ne pas toucher à un commutateur électrique.
 - Ne pas utiliser le téléphone se trouvant sur les lieux.
 - Appeler immédiatement le fournisseur de gaz à partir du téléphone d'un voisin. Suivre ses instructions.
 - À défaut de joindre votre fournisseur de gaz, appeler les pompiers.
- L'installation et l'entretien doivent être effectués par un installateur qualifié, une agence de service ou le fournisseur de gaz.

AVERTISSEMENT : L'odorat ne permet pas toujours la détection d'une fuite de gaz.

Les distributeurs de gaz recommandent l'emploi d'un détecteur de gaz (homologation UL ou CSA).

Pour d'autre information, contacter le fournisseur de gaz local.

En cas de détection d'une fuite de gaz, exécuter les instructions "Que faire dans le cas d'une odeur de gaz".

IMPORTANT : Ne pas installer un système de ventilation avec évacuation de l'air vers le bas, qui évacuerait l'air vers cet appareil de cuisson à gaz. Ce type de système de ventilation peut causer des problèmes d'allumage et de combustion avec cet appareil de cuisson à gaz et entraîner des blessures corporelles ou le fonctionnement non désiré de cet appareil.

Dans l'État du Massachusetts, les instructions d'installation suivantes sont applicables :

- Les travaux d'installation et réparation doivent être exécutés par un plombier ou tuyauteur qualifié ou licencié, ou par le personnel qualifié d'une entreprise licenciée par l'État du Massachusetts.
- Si une vanne à boisseau sphérique est utilisée, elle doit comporter une manette "T".
- Si un conduit de raccordement flexible est utilisé, sa longueur ne doit pas dépasser 3 pi.

⚠ AVERTISSEMENT

Risque de basculement

Un enfant ou une personne adulte peut faire basculer la cuisinière, ce qui peut causer un décès.

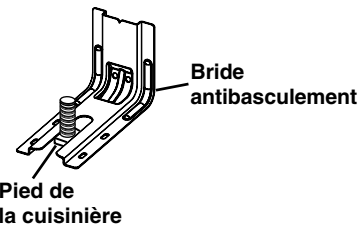
Fixer la bride antibasculement au plancher ou au mur, conformément aux instructions d'installation.

Faire glisser de nouveau la cuisinière de façon à ce que le pied arrière de la cuisinière se trouve dans la fente de la bride antibasculement.

Réengager la bride antibasculement si la cuisinière a été déplacée.

Ne pas faire fonctionner la cuisinière si la bride antibasculement n'est pas installée et engagée.

Le non-respect de ces instructions peut causer un décès ou des brûlures graves aux enfants et aux adultes.



Pour vérifier que la bride antibasculement est bien installée et engagée :

- Faire glisser la cuisinière vers l'avant.
- Vérifier que la bride antibasculement est bien fixée au plancher ou au mur.
- Faire de nouveau glisser la cuisinière vers l'arrière de sorte que le pied de la cuisinière se trouve sous la bride antibasculement.
- Voir les instructions d'installation pour plus de détails.

EXIGENCES D'INSTALLATION

Outillage et pièces

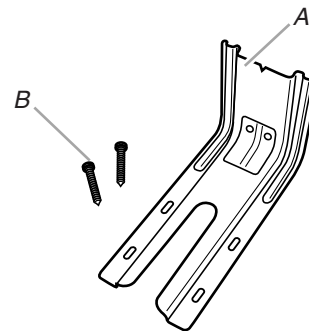
Rassembler les outils et pièces nécessaires avant d'entreprendre l'installation. Lire et observer les instructions fournies avec chacun des outils de la liste ci-dessous.

Outils nécessaires

- Mètre-ruban
 - Tournevis à lame plate
 - Tournevis Phillips
 - Niveau
 - Perceuse manuelle ou électrique
 - Marteau
 - Clé ou pince
 - Clé à tuyauterie
 - Clé mixte de $1\frac{5}{16}$ "
 - Clé à cliquet de $\frac{1}{4}$ "
 - Tourne-écrou de $\frac{3}{8}$ "
 - Foret de $\frac{1}{8}$ " (3,2 mm) (pour planchers en bois)
 - Marqueur ou crayon
 - Pâte d'étanchéité pour raccords de tuyauterie résistant au gaz propane
 - Solution non corrosive de détection des fuites
- Pour conversions au gaz propane/naturel**
- Clé mixte de $\frac{3}{8}$ "
 - Clé mixte de $\frac{1}{2}$ "
 - Clé mixte de $\frac{5}{8}$ "
 - Tourne-écrou de 7 mm ($\frac{9}{32}$ "
 - Tournevis Phillips ou Quadrex^{®†}
 - Ruban adhésif de masquage

Pièces fournies

Vérifier que toutes les pièces sont présentes.



A. Bride antibasculement
B. Vis #12 x $1\frac{5}{8}$ " (2)

- Sachet de documentation
- Gicleurs de conversion (à l'intérieur du sachet contenant la documentation)
- La bride antibasculement doit être bien fixée au mur ou au plancher. L'épaisseur du plancher peut nécessiter des vis plus longues pour l'ancrage de la bride au sol.

†© QUADREX est une marque déposée de NLW Holdings, Inc.

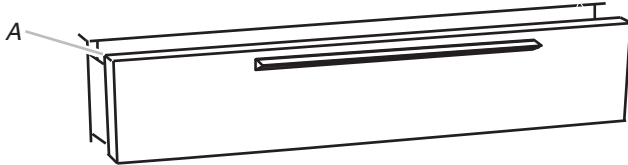
Pièces nécessaires

Vérifier les codes locaux et consulter le fournisseur de gaz. Vérifier l'alimentation en gaz et l'alimentation électrique existantes. Voir les sections "Spécifications électriques" et "Spécifications de l'alimentation en gaz".

Exigences d'emplacement

IMPORTANT : Observer les dispositions de tous les codes et règlements en vigueur. Ne pas obstruer le flux de combustion et de ventilation.

- C'est à l'installateur qu'incombe la responsabilité de respecter les distances de séparation exigées, spécifiées sur la plaque signalétique de l'appareil. La plaque signalétique se trouve sur le châssis du four, derrière le côté gauche de la porte du gril.



A. Emplacement de la plaque signalétique

- La cuisinière doit être installée à un endroit pratique dans la cuisine.
- Dans le cas d'une cuisinière encastrée, l'enceinte doit recouvrir complètement les côtés et l'arrière de la cuisinière.
- Afin de supprimer le risque de brûlures ou d'incendie lié au fait de se pencher au-dessus des unités de surface chauffées, le rangement en armoire au-dessus des unités de surface doit être évité. Si un rangement en armoire est envisagé, le risque peut être réduit par l'installation d'une hotte de cuisine opérant horizontalement sur un minimum de 5" (12,7 cm) au-delà du bas des armoires.
- Toutes les ouvertures dans le mur ou le plancher de l'emplacement d'installation de la cuisinière doivent être scellées.
- Ne pas sceller la cuisinière aux placards latéraux.
- Respecter les dimensions indiquées pour les ouvertures à découper dans les placards. Ces dimensions constituent les valeurs minimales des dégagements de séparation.
- La bride antibasculement doit être installée. Pour l'installation de la bride antibasculement expédiée avec la cuisinière, voir la section "Installation de la bride antibasculement".
- Une source d'électricité avec liaison à la terre est nécessaire. Voir la section "Spécifications électriques".
- Une source de gaz adéquate doit être disponible. Voir la section "Spécifications de l'alimentation en gaz".
- Contacter un installateur de revêtement de sol qualifié, qui pourra déterminer si le revêtement de sol peut résister à une température d'au moins 200°F (93°C).
- Dans le cas de l'installation de la cuisinière sur un tapis ou de la moquette, placer sous la cuisinière une plaque d'appui isolée, ou une plaque de contreplaqué de ¼" (0,64 cm).

IMPORTANT : Afin d'éviter d'endommager les placards, consulter le constructeur de la maison ou le fabricant des placards pour déterminer si les matériaux utilisés peuvent subir un changement de couleur, une déstratification ou d'autres dommages. Ce four a été conçu conformément aux exigences des normes UL et CSA International et respecte les températures maximales permises de 194° (90°C) pour les placards en bois.

Résidence mobile – Spécifications additionnelles à respecter lors de l'installation

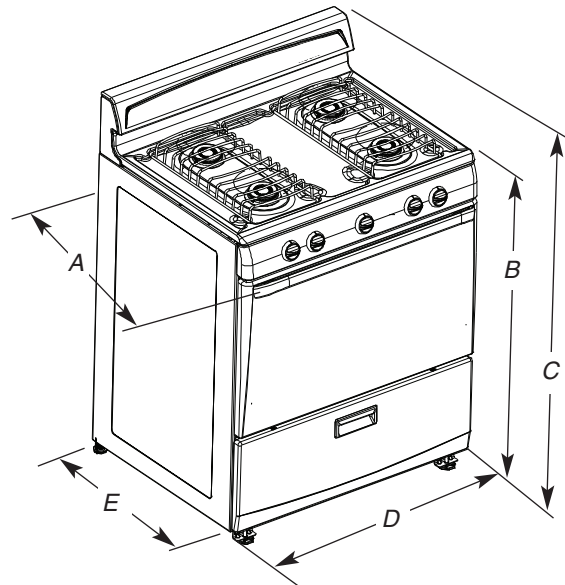
L'installation de cette cuisinière doit être conforme aux dispositions de la norme Manufactured Home Construction and Safety Standard, Title 24 CFR, Part 3280 (anciennement Federal Standard for Mobile Home Construction and Safety, Title 24, HUD Part 280). Lorsque cette norme n'est pas applicable, l'installation doit satisfaire aux critères de la norme Standard for Manufactured Home Installations, ANSI A225.1/NFPA 501A ou aux dispositions des codes locaux.

Au Canada, l'installation de cette cuisinière doit satisfaire aux stipulations de la version la plus récente de la norme CAN/CSA-A240 ou des codes locaux en vigueur.

Autres critères à respecter pour une installation en résidence mobile :

- Dans le cas de l'installation de cette cuisinière dans une résidence mobile, la cuisinière doit être fixée au plancher durant tout déplacement du véhicule. Toute méthode de fixation de la cuisinière est adéquate dans la mesure où elle satisfait aux critères des normes mentionnées ci-dessus.

Dimensions du produit



- A. 26¼" (67,9 cm) de profondeur avec la poignée
- B. 36" (91,4 cm)
- C. Hauteur hors-tout 42" (106,7 cm)
- D. 29 7/8" (75,9 cm)
- E. 24¼" (61,6 cm)

Dimensions des placards

Les dimensions de l'espace d'installation entre les placards correspondent à une installation entre des placards de 24" (61,0 cm) avec plan de travail de 25" (64,0 cm) de profondeur et hauteur de 36" (91,4 cm).

Si la profondeur du placard est supérieure à 24" (61,0 cm), le châssis du four doit se prolonger au-delà des façades des placards de ½" (1,3 cm) minimum.

IMPORTANT : En cas d'installation d'une hotte ou d'un ensemble hotte/micro-ondes au-dessus de la cuisinière, suivre les instructions fournies avec la hotte concernant les dimensions de dégagement à respecter au-dessus de la surface de la table de cuisson.

Spécifications électriques

⚠ AVERTISSEMENT



Risque de choc électrique

Brancher sur une prise à 3 alvéoles reliée à la terre.

Ne pas enlever la broche de liaison à la terre.

Ne pas utiliser un adaptateur.

Ne pas utiliser un câble de rallonge.

Le non-respect de ces instructions peut causer un décès, un incendie ou un choc électrique.

IMPORTANT : La cuisinière doit être électriquement reliée à la terre conformément aux prescriptions des codes et règlements locaux; en l'absence de code local, respecter les prescriptions du code national en vigueur : National Electrical Code, ANSI/NFPA 70 ou Code canadien de l'électricité, CSA C22.1.

Si un conducteur distinct de liaison à la terre est utilisé (lorsque le code en vigueur le permet), on recommande qu'un électricien qualifié vérifie la qualité de la liaison à la terre.

On peut obtenir un exemplaire du code national en vigueur à l'adresse suivante :

National Fire Protection Association
1 Batterymarch Park
Quincy, MA 02169-7471

CSA International
8501 East Pleasant Valley Road
Cleveland, OH 44131-5575

- L'appareil doit être alimenté uniquement par un circuit de 120 V, 60 Hz, CA seulement, 15 A protégé par fusibles. On recommande l'emploi de fusibles temporisés ou de disjoncteurs. On recommande que l'appareil soit alimenté par un circuit indépendant.

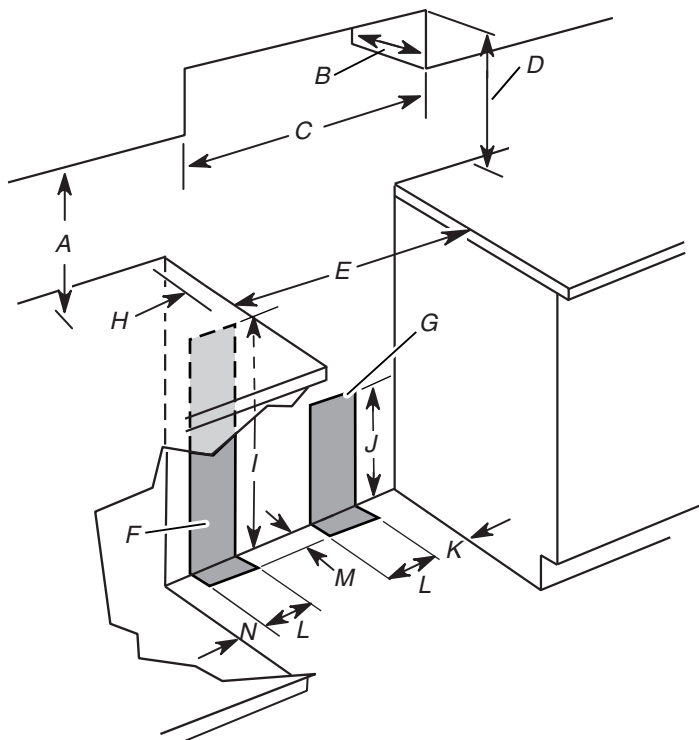
- Cette cuisinière est équipée d'un cordon d'alimentation électrique avec une fiche à trois alvéoles de mise à la terre. Pour minimiser le risque possible de choc électrique, le cordon doit être branché dans une prise à 3 alvéoles reliée à la terre.

- Les dispositifs d'allumage électronique peuvent fonctionner correctement dans une plage de tension d'alimentation étendue, mais il est nécessaire de respecter la polarité stipulée et d'établir une liaison à la terre adéquate. Vérifier que la prise de courant fournit une tension de 120 V et qu'elle est correctement reliée à la terre.

Cette cuisinière est équipée d'un système d'allumage électronique qui ne fonctionnera pas si l'appareil est branché dans une prise dont la polarité n'est pas correcte.

- On trouvera un schéma de câblage à l'arrière de la cuisinière, dans un sachet de plastique transparent.

REMARQUE : Le châssis métallique de la cuisinière doit être relié à la terre pour que le tableau de commande puisse fonctionner correctement. Si le châssis métallique de la cuisinière n'est pas relié à la terre, aucune touche du tableau de commande ne peut fonctionner. En cas de doute quant à la qualité de la liaison à la terre du châssis de la cuisinière, consulter un électricien qualifié.



- A. 18" (45,7 cm) de dégagement minimum entre le placard latéral supérieur et le plan de travail
- B. Profondeur maximale des placards supérieurs : 13" (33,0 cm)
- C. Largeur minimale de l'ouverture 30" (76,2 cm)
- D. Pour la distance libre minimale vers la partie supérieure de la table de cuisson, voir la REMARQUE*
- E. Largeur minimale de l'ouverture 30 1/8" (76,5 cm) min.
- F. Il est recommandé d'effectuer l'installation de la prise de courant électrique dans cette zone grisée.
- G. Il est recommandé d'effectuer l'installation de la canalisation de gaz rigide dans cette zone grisée.
- H. 2" (5,1 cm) min. de distance de dégagement vers le mur latéral ou autre matériau combustible
- I. 24" (61,0 cm)
- J. 10" (25,4 cm)
- K. 8" (20,3 cm)
- L. 5" (12,7 cm)
- M. 2" (5,1 cm)
- N. 3" (7,6 cm)

***REMARQUE :** Distance de séparation minimale de 24" (61,0 cm) lorsque le fond d'un placard de bois ou de métal est protégé par une planche ignifugée d'au moins 1/4" (0,64 cm) recouverte d'une feuille métallique d'épaisseur égale ou supérieure à : acier calibre 28 MSG, acier inoxydable 0,015" (0,4 mm), aluminium 0,024" (0,6 mm), ou cuivre 0,020" (0,5 mm).

Distance de séparation minimale de 30" (76,2 cm) ou plus entre le dessus de la table de cuisson et le fond d'un placard de bois ou de métal non protégé.

⚠ **AVERTISSEMENT**



Risque d'explosion

Utiliser une canalisation neuve d'arrivée de gaz approuvée par la CSA International.

Installer un robinet d'arrêt.

Bien serrer chaque organe de connexion de la canalisation de gaz.

En cas de connexion au gaz propane, demander à une personne qualifiée de s'assurer que la pression de gaz ne dépasse pas 36 cm (14 po) de la colonne d'eau.

Par personne qualifiée, on comprend :

**le personnel autorisé de chauffage,
le personnel autorisé d'une compagnie de gaz, et
le personnel d'entretien autorisé.**

Le non-respect de ces instructions peut causer un décès, une explosion ou un incendie.

Observer toutes les prescriptions des codes et règlements en vigueur.

IMPORTANT : L'installation doit satisfaire aux critères de tous les codes et règlements locaux. En l'absence de code local, l'installation doit satisfaire aux prescriptions du National Fuel Gas Code ANSI Z223.1 (American National Standard), ou CAN/CGA B149 (édition la plus récente).

IMPORTANT : Les tests de fuite de la cuisinière doivent être effectués selon les instructions du fabricant.

Type de gaz

Gaz naturel :

La conception de cette cuisinière a été homologuée par CSA International pour l'alimentation au gaz naturel, ou pour l'alimentation au propane après conversion adéquate.

- Cette cuisinière a été configurée à l'usine pour l'alimentation au gaz naturel. Voir la section "Conversions pour changement de gaz". La plaque signalétique située sur le châssis, derrière le côté gauche de la porte du brûleur, contient des renseignements sur les types de gaz qui peuvent être utilisés. Si le type de gaz disponible n'est pas mentionné sur la plaque signalétique, consulter le fournisseur de gaz local.

Conversion pour l'alimentation au propane :

L'opération de conversion doit être exécutée par un technicien qualifié.

Consulter le fournisseur de gaz avant toute conversion de l'appareil pour l'utilisation d'un type de gaz qui n'est pas mentionné sur la plaque signalétique. Voir la section "Conversions pour changement de gaz".

Canalisation de gaz

- Installer une canalisation de gaz rigide de 3/4" (1,9 cm) jusqu'à l'emplacement d'installation de la cuisinière. L'emploi d'une canalisation de plus petit diamètre ou plus longue peut susciter une déficience du débit d'alimentation. Pour l'alimentation au propane, le diamètre des canalisations doit être de 1/2" (1,3 cm) ou plus. Usuellement le fournisseur de gaz propane détermine les matériaux à utiliser et la dimension appropriée.

REMARQUE : On doit utiliser un composé d'étanchéité des tuyauteries résistant à l'action du gaz de pétrole liquéfié. Ne pas utiliser de ruban TEFLON®†.

Raccord métallique flexible :

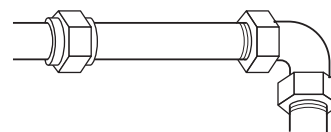
- Si les codes locaux le permettent, on peut utiliser pour raccorder la cuisinière à la canalisation de gaz un raccord métallique flexible neuf (homologation CSA) de 4 à 5 pi (122 à 152,4 cm) de longueur, de diamètre interne de 1/2" (1,3 cm) ou 3/4" (1,9 cm).



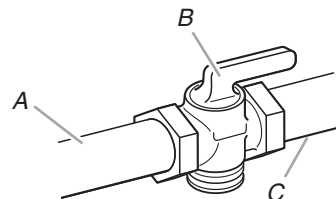
- Un raccord avec filetage mâle de 1/2" (1,3 cm) est nécessaire pour la connexion sur le raccord à filetage femelle à l'entrée du détendeur de l'appareil.
- Veiller à ne pas déformer/écraser/endommager le tube métallique flexible lors d'un déplacement de la cuisinière.

Raccordement par un ensemble rigide :

On doit utiliser une combinaison de raccords pour réaliser un raccordement rigide entre la cuisinière et la canalisation de gaz. Le tuyau rigide doit se trouver au même niveau que le raccord de connexion de la cuisinière. On doit veiller à ne soumettre les sections de canalisation d'alimentation à aucun effort de traction ou flexion, pour que la cuisinière soit d'aplomb et correctement alignée.



- **Robinet d'arrêt nécessaire :**
La canalisation d'alimentation doit comporter un robinet d'arrêt manuel. Le robinet d'arrêt manuel doit être séparé de la cuisinière, mais doit se trouver dans la même pièce en un endroit où il sera facilement accessible pour les manœuvres d'ouverture/fermeture. Ne pas entraver l'accès au robinet d'arrêt manuel. Le robinet d'arrêt manuel est prévu pour ouvrir ou fermer l'alimentation en gaz de la cuisinière.



A. Canalisation de gaz
B. Robinet d'arrêt manuel - position d'ouverture
C. Vers la cuisinière

†®TEFLON est une marque déposée de E.I. Du Pont De Nemours et Compagnie.

Détendeur de gaz

Le détendeur fourni avec cette cuisinière doit être utilisé. Pour un fonctionnement correct, la pression d'alimentation du détendeur doit être comme suit :

Gaz naturel :

Pression minimum : 5" (colonne d'eau)

Pression maximum : 14" (colonne d'eau)

Gaz propane :

Pression minimum : 11" (colonne d'eau)

Pression maximum : 14" (colonne d'eau)

En cas d'incertitude quant à la pression d'alimentation à établir, contacter le fournisseur de gaz local.

Débit thermique des brûleurs

Les débits thermiques indiqués sur la plaque signalétique correspondent à une altitude d'utilisation inférieure ou égale à 2000 pi (609,6 m).

Lorsque l'appareil est utilisé à une altitude supérieure à 2000 pi (609,6 m), on doit réduire le débit thermique indiqué de 4 % pour chaque tranche de 1000 pi (304,8 m) au-dessus du niveau de la mer (pas applicable au Canada).

Tests de pressurisation de la canalisation de gaz

On doit tester le détendeur sous une pression supérieure d'au moins 1" à la pression de la tubulure de distribution indiquée sur la plaque signalétique.

Pressurisation à une pression supérieure à ½ lb/po² (14" - colonne d'eau)

Lors de tout test de pressurisation de ce système à une pression supérieure à ½ lb/po² (3,5 kPa), on doit déconnecter l'appareil et son robinet d'arrêt individuel de la canalisation de gaz.

Pressurisation à une pression inférieure ou égale à ½ lb/po² (14" - colonne d'eau)

Lors de tout test de pressurisation de la canalisation de gaz à une pression égale ou inférieure à ½ lb/po² (3,5 kPa), on doit isoler l'appareil de la canalisation de gaz par fermeture de son robinet d'arrêt manuel individuel.

INSTRUCTIONS D'INSTALLATION

Déballage de la cuisinière

⚠ AVERTISSEMENT

Risque du poids excessif

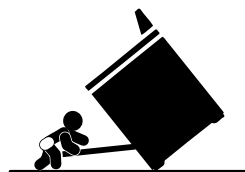
Utiliser deux ou plus de personnes pour déplacer et installer la cuisinière.

Le non-respect de cette instruction peut causer une blessure au dos ou d'autre blessure.

1. Ne pas se servir de la poignée de la porte du four pour soulever ou déplacer la cuisinière.
 2. Ôter les matériaux d'emballage, le ruban adhésif et la pellicule protectrice de la cuisinière. Garder la base du carton sous la cuisinière.
 3. Retirer les grilles de four et le sachet de pièces de l'intérieur du four.
 4. Pour placer la cuisinière sur sa partie postérieure, prendre les 4 coins de protection du carton d'emballage. Empiler l'un des coins sur un autre. Répéter avec les 2 autres coins. Les disposer sur le plancher dans le sens de la longueur derrière la cuisinière à titre de support de la cuisinière lorsque celle-ci est placée sur sa partie postérieure.
 5. À l'aide d'au moins deux personnes, saisir fermement la cuisinière et la déposer délicatement sur sa partie postérieure, sur les coins de protection.
 6. Tirer fermement sur le morceau de carton pour le retirer.
 7. Utiliser une clé à molette pour desserrer les pieds de nivellement. Ajuster les pieds de nivellement à la hauteur nécessaire. Les pieds de nivellement peuvent être desserrés pour ajouter une hauteur maximale de 1" (2,5 cm). Une longueur minimum de 3/16" (0,5 cm) est nécessaire pour engager la bride antibasculément.
- REMARQUE :** Si un ajustement de la hauteur est effectué alors que la cuisinière est debout, incliner la cuisinière vers l'arrière pour ajuster les pieds avant, puis incliner la cuisinière vers l'avant pour ajuster les pieds arrière.
8. Placer le carton ou le panneau de fibre dur devant la cuisinière. À l'aide d'au moins 2 personnes, relever la cuisinière et la placer sur le carton ou le panneau de fibre dur.

Installation de la bride antibasculément

⚠ AVERTISSEMENT



Risque de basculement

Un enfant ou une personne adulte peut faire basculer la cuisinière, ce qui peut causer un décès.

Fixer la bride antibasculément au plancher ou au mur, conformément aux instructions d'installation.

Faire glisser de nouveau la cuisinière de façon à ce que le pied arrière de la cuisinière se trouve dans la fente de la bride antibasculément.

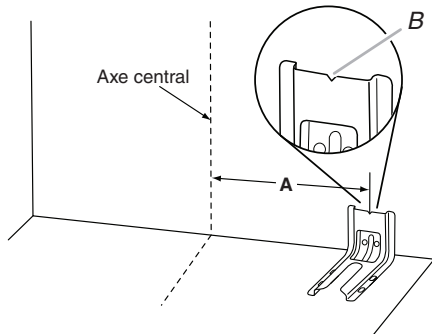
Réengager la bride antibasculément si la cuisinière a été déplacée.

Ne pas faire fonctionner la cuisinière si la bride antibasculément n'est pas installée et engagée.

Le non-respect de ces instructions peut causer un décès ou des brûlures graves aux enfants et aux adultes.

1. Retirer la bride antibasculément de l'intérieur du four où elle est fixée avec une attache métallique.
2. Déterminer la méthode de montage à utiliser : au plancher ou au mur.
Pour un plancher en pierre ou en briquetage, on peut utiliser la méthode de montage au mur. En cas d'installation de la cuisinière dans une résidence mobile, il est impératif de fixer la cuisinière au sol.

3. Déterminer et marquer l'axe central de l'espace à découper. Le montage peut être effectué du côté gauche ou droit de la découpe. Positionner la bride de montage contre le mur dans l'ouverture à découper de façon à ce que l'encoche en V de la bride se trouve à $12^{53/64}$ " (32,6 cm) de l'axe central, tel qu'illustré.

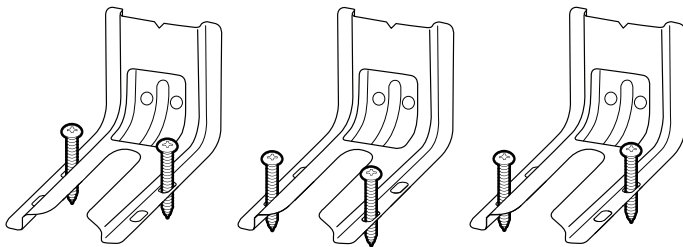


A. $12^{53/64}$ " (32,6 cm)

B. Encoche en V de la bride

4. Percer deux trous de $1/8$ " (3 mm) qui correspondent aux trous de la bride selon la méthode de montage déterminée. Voir les illustrations suivantes.

Montage au plancher

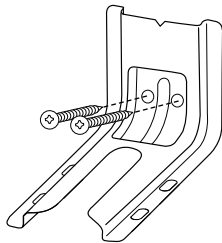


Positionnement
par l'arrière

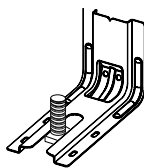
Positionnement
par l'avant

En diagonale
(2 options)

Montage mural



5. À l'aide du tournevis Phillips, monter la bride antibasculement sur le mur ou sur le plancher avec les deux vis n° 12 x $1\frac{1}{8}$ " fournies.
6. Rapprocher suffisamment la cuisinière de l'ouverture pour permettre le raccordement électrique et le raccordement final au gaz. Retirer la base d'expédition, le carton ou le panneau de fibres dur de sous la cuisinière.
7. Placer la cuisinière dans son emplacement final en s'assurant que le pied de nivellement arrière glisse dans la bride antibasculement.



8. Déplacer la cuisinière vers l'avant sur la base de sa boîte d'expédition, sur une planche en carton ou en matériau de fibres dur pour poursuivre l'installation de la cuisinière à l'aide des instructions d'installation suivantes.

Raccordement au gaz

AVERTISSEMENT



Risque d'explosion

Utiliser une canalisation neuve d'arrivée de gaz approuvée par la CSA International.

Installer un robinet d'arrêt.

Bien serrer chaque organe de connexion de la canalisation de gaz.

En cas de connexion au gaz propane, demander à une personne qualifiée de s'assurer que la pression de gaz ne dépasse pas 36 cm (14 po) de la colonne d'eau.

Par personne qualifiée, on comprend :

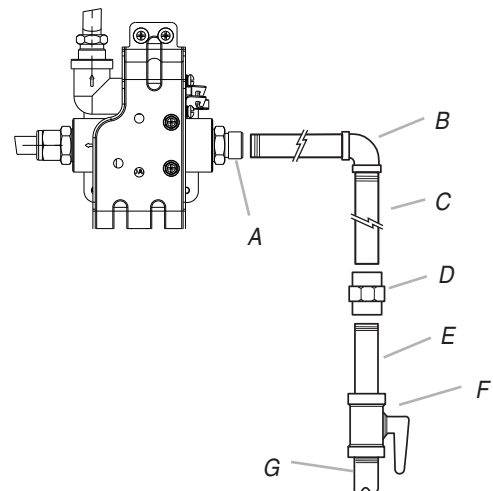
le personnel autorisé de chauffage,
le personnel autorisé d'une compagnie de gaz, et
le personnel d'entretien autorisé.

Le non-respect de ces instructions peut causer un décès, une explosion ou un incendie.

Raccordement typique à une canalisation rigide

On doit utiliser une combinaison de raccords pour raccorder la cuisinière à la canalisation de gaz existante. La configuration de raccordement sera variable, selon les caractéristiques de la canalisation d'alimentation (type, taille et emplacement).

1. Sur chaque raccord fileté, appliquer un composé d'étanchéité conçu pour gaz propane.
2. Utiliser une clé à tuyauterie pour serrer les raccords et raccorder l'alimentation en gaz à la cuisinière.



A. Raccord du détendeur

B. Coude à 90°

C. Tuyau en fer noir

D. Raccord

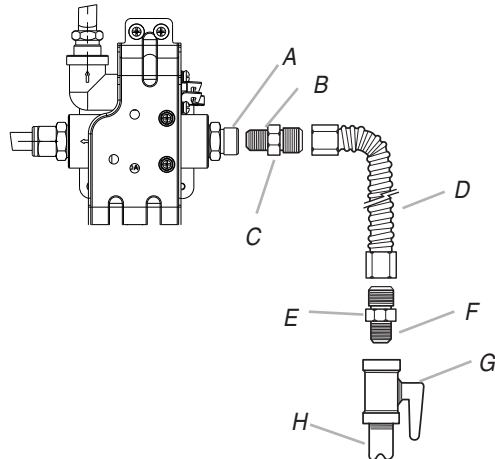
E. Raccord droit

F. Robinet d'arrêt manuel

G. Tuyau de gaz de $\frac{1}{2}$ " ou $\frac{3}{4}$ "

Raccordement typique par raccord flexible

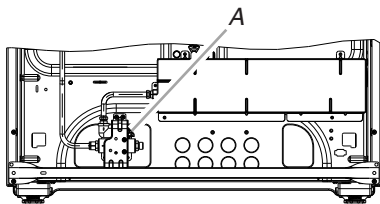
1. Appliquer un composé d'étanchéité des filetages résistant au propane sur la plus petite extrémité fileté des adaptateurs de raccord flexible (voir B et F à l'illustration suivante).
2. Fixer un raccord d'adaptation sur le détendeur et l'autre raccord d'adaptation sur le robinet d'arrêt de la canalisation de gaz. Serrer les deux raccords d'adaptation.
3. Utiliser une clé mixte et une pince pour fixer le raccord flexible sur les raccords d'adaptation. S'assurer que le raccord n'est pas déformé.



- | | |
|---|---|
| A. Raccord du détendeur | E. Adaptateur |
| B. Utiliser un composé d'étanchéité des tuyauteries | F. Utiliser un composé d'étanchéité des tuyauteries |
| C. Adaptateur | G. Robinet d'arrêt manuel |
| D. Raccord flexible | H. Tuyau de gaz de 1/2" ou 3/4" |

Achever le raccordement

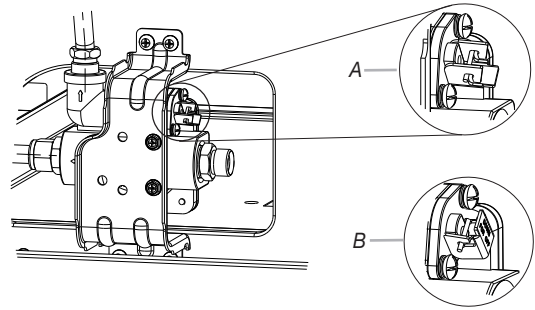
1. Localiser le détendeur à l'arrière de la cuisinière.



A. Détendeur

IMPORTANT : Ne pas enlever le détendeur.

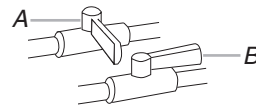
2. Vérifier que le robinet d'arrêt du détendeur est à la position "ON" (marche).



A. Position de "marche"
B. Position "d'arrêt"

IMPORTANT : Le réglage usine est à la position de "MARCHÉ". Si la cuisinière ne fonctionne pas, vérifier que le robinet est à la position de "MARCHÉ".

3. Ouvrir le robinet d'arrêt manuel sur la canalisation de gaz. Le robinet est ouvert lorsque la poignée est parallèle au conduit d'alimentation en gaz.



A. Robinet fermé
B. Robinet ouvert

4. Vérifier tous les raccordements en les badigeonnant d'une solution de détection des fuites non corrosive approuvée. L'apparition de bulles indique une fuite. Réparer toute fuite éventuelle.
5. Ôter les chapeaux et grilles des brûleurs de la table de cuisson du sachet de pièces. Aligner les encoches des chapeaux des brûleurs avec les broches dans la base de chaque brûleur. Un chapeau de brûleur correctement placé doit être horizontal. Si le chapeau de brûleur n'est pas correctement placé, le brûleur de surface ne peut s'allumer. Placer les brûleurs, les chapeaux de brûleurs et les grilles sur la table de cuisson.

⚠ AVERTISSEMENT



Risque de choc électrique

Brancher sur une prise à 3 alvéoles reliée à la terre.

Ne pas enlever la broche de liaison à la terre.

Ne pas utiliser un adaptateur.

Ne pas utiliser un câble de rallonge.

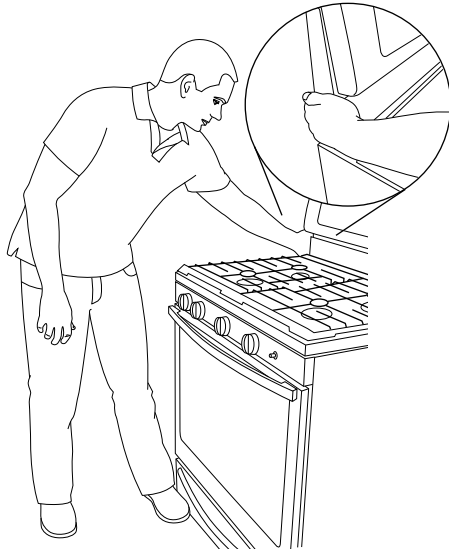
Le non-respect de ces instructions peut causer un décès, un incendie ou un choc électrique.

6. Brancher sur une prise à 3 alvéoles reliée à la terre.

Vérifier que la bride antibasculement est bien installée et engagée

1. Placer l'extérieur du pied contre la partie inférieure avant de la lèchefrite et saisir le côté inférieur droit ou gauche du tableau de commande tel qu'indiqué.

REMARQUE : Si le plan de travail comporte un dossier, il faudra peut-être saisir la cuisinière plus haut que ce qu'indique l'illustration.



2. Tenter d'incliner la cuisinière vers l'avant avec précaution. En cas de résistance immédiate, cela signifie que le pied de la cuisinière est engagé dans la bride antibasculement.
 3. Si l'arrière de la cuisinière se soulève de plus de 1/2" (1,3 cm) du plancher sans opposer de résistance, cesser d'incliner la cuisinière et la reposer doucement sur le plancher. Le pied de la cuisinière n'est pas engagé dans la bride antibasculement.
- IMPORTANT :** Si l'on entend un claquement ou un bruit d'éclatement lorsqu'on soulève la cuisinière, cela signifie peut-être que la cuisinière n'est pas bien engagée dans la bride. Vérifier qu'aucun obstacle n'empêche la cuisinière de glisser sur le mur ou le pied de la cuisinière de glisser dans la bride. Vérifier que la bride est fermement maintenue en place par les vis de montage.
4. Glisser la cuisinière vers l'avant et vérifier que la bride antibasculement est bien fixée au plancher ou au mur.
 5. Faire glisser de nouveau la cuisinière de façon à ce que le pied arrière de la cuisinière se trouve dans la fente de la bride antibasculement.

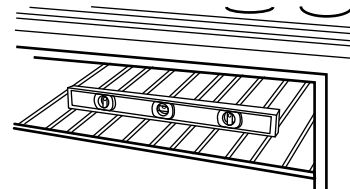
IMPORTANT : Si l'arrière de la cuisinière se trouve à plus de 2" (5,1 cm) du mur de montage, cela signifie que le pied arrière de la cuisinière n'est peut-être pas engagé dans la bride. Glisser la cuisinière vers l'avant et déterminer si un obstacle se trouve entre la cuisinière et le mur de montage. Les modifications apportées à l'alimentation en gaz doivent être effectuées par un réparateur qualifié. Pour toute demande d'assistance ou de service, se reporter à la section "Assistance ou service" du guide d'utilisation et d'entretien pour connaître les coordonnées de contact.

6. Répéter les étapes 1 et 2 pour s'assurer que le pied de la cuisinière est bien engagé dans la bride antibasculement.

Si l'arrière de la cuisinière se soulève de plus de 1/2" (1,3 cm) du plancher sans opposer de résistance, cela peut signifier que la bride antibasculement n'est pas correctement installée. Ne pas faire fonctionner la cuisinière si la bride antibasculement n'est pas installée et engagée. Consulter la section "Assistance ou Service" du guide d'utilisation et d'entretien, la couverture ou la section "Garantie" des instructions d'utilisation pour contacter le service de dépannage.

Réglage de l'aplomb de la cuisinière

1. Placer une grille plate standard dans le four.
2. Placer un niveau sur la grille et contrôler l'aplomb de la cuisinière, d'abord transversalement, puis dans le sens avant/arrière.



3. Si la cuisinière n'est pas d'aplomb, la tirer de nouveau pour que le pied de nivellement arrière se dégage de la bride antibasculement.
4. Utiliser une clé à cliquet de 3/8" et une pince multiprise pour régler les pieds de nivellement vers le haut ou vers le bas jusqu'à ce que la cuisinière soit d'aplomb.
5. Repousser la cuisinière pour la remettre en place.
6. Vérifier que le pied de nivellement arrière est engagé dans la bride antibasculement.

REMARQUE : La cuisinière doit être d'aplomb pour que les résultats de cuisson au four soient satisfaisants.

Système d'allumage électronique

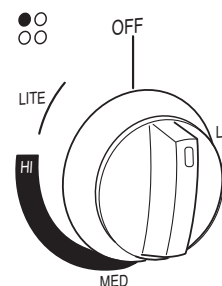
Allumage initial et réglages des flammes de gaz

Un système d'allumage électronique est utilisé à la place des flammes de veille usuelles pour l'allumage des brûleurs (table de cuisson et four). Lorsqu'on tourne le bouton de commande de la table de cuisson à la position "LITE" (allumage), le système génère une étincelle pour l'allumage du brûleur. La génération d'étincelles se poursuit jusqu'au moment où l'utilisateur ramène le bouton de commande au réglage désiré.

Lorsqu'on tourne le bouton de commande du four à la position désirée, un dispositif d'allumage à surface chaude commence à chauffer jusqu'à prendre une couleur orange vif et provoque l'inflammation du gaz. Il n'y a pas de génération d'étincelles. La barre incandescente reste allumée lorsque le brûleur est activé.

Contrôle du fonctionnement des brûleurs de la table de cuisson

1. Si le tableau de commande et les boutons ont été précédemment retirés, remettre en place les boutons.
2. Enfoncer et tourner chaque bouton de commande de l'appareil de surface à la position "LITE" (allumage). La flamme doit s'allumer sur le brûleur en moins de 4 secondes.



- Une fois que le brûleur s'est allumé, tourner le bouton de commande à la position "HI" (élevée).
- Inspecter chaque brûleur de table de cuisson pour vérifier que les flammes sont d'apparence et de taille correctes. Le petit cône interne doit comporter une flamme bleue très distincte de ¼" (0,64 cm) à ½" (1,3 cm) de long. Le cône externe n'est pas aussi distinct que le cône interne.

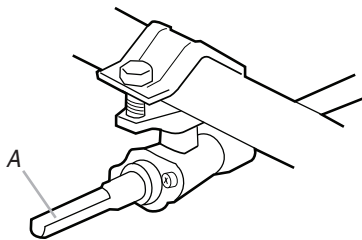


A. Cône externe
B. Cône interne

- Une fois que le brûleur s'est allumé, tourner rapidement le bouton de commande à la position "LO" (basse). Si la flamme disparaît, tourner le bouton de commande à la position "OFF" (arrêt).
- Inspecter chaque brûleur de table de cuisson pour vérifier que les flammes au débit thermique minimum sont de la bonne taille. Une flamme basse doit consister en une flamme bleue constante et de taille minimale. La taille de la flamme doit être de ¼" à ⅜" (0,64 cm à 0,95 cm) de hauteur.

Si la flamme basse doit être réglée :

- Lorsque la flamme du brûleur est allumée, tourner le bouton de commande au réglage "LO" (bas) et ôter le bouton de commande.
- Insérer un tournevis à petite lame plate dans la tige de réglage. Tourner la vis de réglage de la tige pour obtenir la plus petite flamme possible (sans qu'elle ne s'éteigne) lorsque la commande d'un brûleur froid est tournée rapidement de "HI" (élevé) à "LO" (faible). Tourner vers la droite pour diminuer la hauteur de la flamme. Tourner vers la gauche pour augmenter la hauteur de la flamme. Répéter pour les autres brûleurs de la table de cuisson si nécessaire.

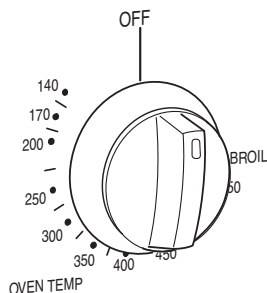


A. Tige de réglage

- Remettre en place le bouton de commande.

Contrôle du fonctionnement du four/brûleur du gril

- Ouvrir la porte du gril.
- Enfoncer et tourner le bouton de commande du four à 350°F.



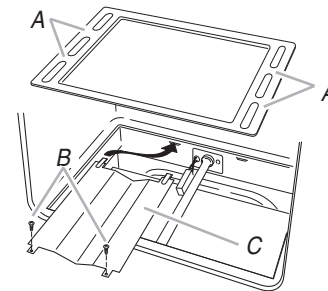
- La veilleuse du four grandit et la flamme chauffe une petite ampoule métallique.
- Le brûleur du four doit s'allumer en 20 à 40 secondes; ce retard est normal. Il faut un certain temps au robinet du four pour s'ouvrir et laisser le gaz circuler.

Afin d'éviter d'endommager le dispositif d'allumage de surface chaude, ne pas insérer d'objet dans les ouvertures de la protection entourant le dispositif d'allumage. Ne pas nettoyer cette zone.

- Inspecter le brûleur du four pour vérifier que la flamme est d'apparence et de taille correctes. La flamme doit être de ½" (1,3 cm) de longueur, avec un cône interne bleu-vert. La partie externe doit être bleu foncé et doit avoir une apparence être propre et lisse. Il ne doit y avoir ni pointes jaunes, ni souffle ou soulèvement de la flamme (trop d'air).

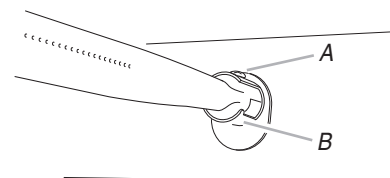
Si la flamme doit être réglée :

- Éteindre le four. Attendre que le brûleur du four ait refroidi.
- Ouvrir la porte du four et retirer les grilles du four, la plaque du four ainsi que le répartiteur de flammes et les mettre de côté.



A. Plaque du four (soulever à l'endroit indiqué pour l'enlever)
B. Vis
C. Répartiteur de flammes

- Localiser la virole de réglage de l'admission d'air située près de la paroi arrière du four et desserrer la vis de la virole de réglage de l'admission d'air.



A. Vis de la virole de réglage de l'admission d'air
B. Virole de réglage de l'admission d'air

- Réglage de l'admission d'air.
- Rallumer le four et vérifier que les flammes sont d'apparence et de taille correctes. Si la flamme n'est toujours pas bien réglée, éteindre le four, attendre que le brûleur du four ait refroidi et répéter l'étape 4 jusqu'à ce que la flamme soit correctement réglée.
- Lorsque la flamme a été correctement réglée, éteindre le four et attendre que le brûleur refroidisse.
- Serrer la vis de la virole de réglage.
- Remettre en place le répartiteur de flammes et la plaque du four. Réinstaller les grilles du four.
- Fermer la porte du four.
- Fermer la porte du gril.

Achever l'installation

1. Vérifier que toutes les pièces sont maintenant installées. S'il reste une pièce inutilisée, passer en revue les différentes étapes pour découvrir laquelle aurait été oubliée.
2. Vérifier la présence de tous les outils.
3. Jeter ou recycler tous les matériaux d'emballage.
4. Contrôler l'aplomb de la cuisinière. Voir "Réglage de l'aplomb de la cuisinière".
5. Utiliser une solution d'eau tiède et de nettoyant ménager liquide doux pour éliminer tout résidu de cire laissé par les matériaux de protection de l'emballage. Sécher parfaitement avec un linge doux. Pour plus d'informations, consulter la section "Entretien de la cuisinière" dans le Guide d'utilisation et d'entretien.
6. Lire le Guide d'utilisation et d'entretien.
7. Mettre en marche les brûleurs de surface et le four. Pour des instructions spécifiques concernant l'utilisation de la cuisinière, consulter le Guide d'utilisation et d'entretien.

Si la cuisinière ne fonctionne pas, contrôler ce qui suit :

- Le fusible du domicile est intact et bien serré, et le disjoncteur ne s'est pas déclenché.
 - Cuisinière branchée directement sur une prise de courant à 3 alvéoles, reliée à la terre.
 - Le raccordement de l'alimentation électrique a été effectué.
 - Consulter la section "Dépannage" dans le Guide d'utilisation et d'entretien.
8. Après 5 minutes de fonctionnement de la cuisinière, évaluer le niveau de chaleur. Si la cuisinière est froide, arrêter la cuisinière et déterminer si le robinet d'arrêt d'alimentation en gaz est ouvert.
 - Si le robinet d'arrêt de l'alimentation en gaz est fermé, l'ouvrir, puis répéter le test de 5 minutes décrit ci-dessus.
 - Si le robinet d'arrêt de l'alimentation en gaz est ouvert, le tourner à la position de fermeture et contacter un technicien qualifié.

Si vous avez besoin d'assistance ou de service :

Veillez consulter la section "Assistance ou service" dans le Guide d'utilisation et d'entretien ou contacter le revendeur qui vous a vendu la cuisinière.

CONVERSIONS POUR CHANGEMENT DE GAZ

Les conversions pour changement de gaz naturel à propane ou de propane à gaz naturel doivent être effectuées par un installateur qualifié.

⚠ AVERTISSEMENT



Risque d'explosion

Utiliser une canalisation neuve d'arrivée de gaz approuvée par la CSA International.

Installer un robinet d'arrêt.

Bien serrer chaque organe de connexion de la canalisation de gaz.

En cas de connexion au gaz propane, demander à une personne qualifiée de s'assurer que la pression de gaz ne dépasse pas 36 cm (14 po) de la colonne d'eau.

Par personne qualifiée, on comprend :

le personnel autorisé de chauffage,
le personnel autorisé d'une compagnie de gaz, et
le personnel d'entretien autorisé.

Le non-respect de ces instructions peut causer un décès, une explosion ou un incendie.

Conversion pour l'alimentation au propane

⚠ AVERTISSEMENT



Risque de basculement

Un enfant ou une personne adulte peut faire basculer la cuisinière, ce qui peut causer un décès.

Fixer la bride antibasculement au plancher ou au mur, conformément aux instructions d'installation.

Faire glisser de nouveau la cuisinière de façon à ce que le pied arrière de la cuisinière se trouve dans la fente de la bride antibasculement.

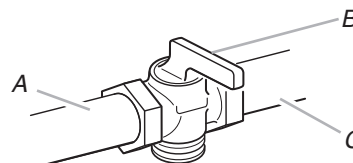
Réengager la bride antibasculement si la cuisinière a été déplacée.

Ne pas faire fonctionner la cuisinière si la bride antibasculement n'est pas installée et engagée.

Le non-respect de ces instructions peut causer un décès ou des brûlures graves aux enfants et aux adultes.

Conversion du détendeur

1. Placer le robinet d'arrêt manuel à la position "fermée".

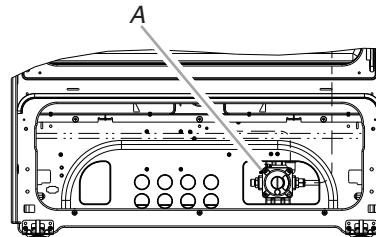


A. Vers la cuisinière

B. Robinet d'arrêt manuel en position "fermée"

C. Canalisation d'alimentation en gaz

2. Débrancher la cuisinière ou déconnecter la source de courant électrique.
3. Ouvrir la porte du grill et retirer la lèche-frite. Le détendeur se trouve dans le coin arrière droit du compartiment du grill.



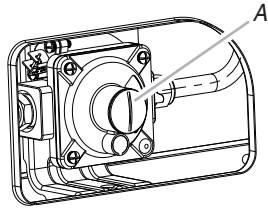
A. Détendeur

IMPORTANT : Ne pas enlever le détendeur.

REMARQUE : Ne pas enlever le ressort situé sous le capuchon.

- Retirer le capuchon du détendeur à l'aide d'un tournevis à lame plate.

REMARQUE : Veiller à ce que le joint reste à la même position.

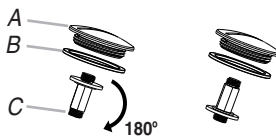


A. Capuchon

- Pour la conversion au gaz propane, dévisser la vis de réglage en plastique à la main, la retourner et la revisser.

Pression d'alimentation pour gaz naturel

Pression d'alimentation pour propane



A. Capuchon

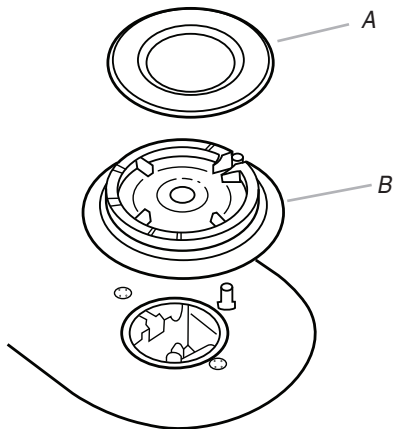
B. Joint

C. Vis de réglage

- Réinstaller le capuchon.

Conversion des brûleurs de surface

- Ôter la grille du brûleur, les chapeaux de brûleurs et les brûleurs.

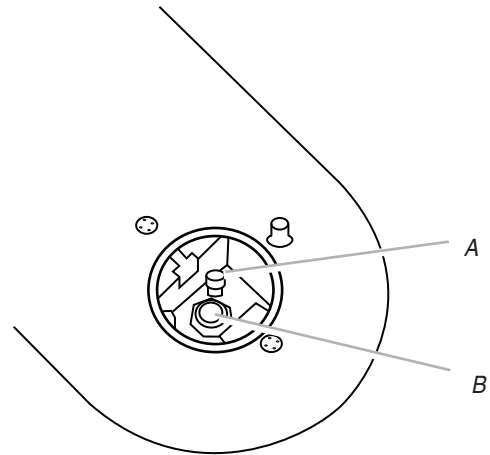


A. Chapeau de brûleur

B. Brûleur

- Repérer les gicleurs pour gaz propane des brûleurs supérieurs dans le sachet de documentation fourni avec la cuisinière. Trois gicleurs pour gaz propane portent la mention "88" et un porte la mention "96".
- Ôter les gicleurs de brûleur pour gaz naturel à l'aide d'une clé mixte de 7 mm.

- Installer les gicleurs de brûleur pour gaz propane à l'aide d'une clé mixte de 7 mm.

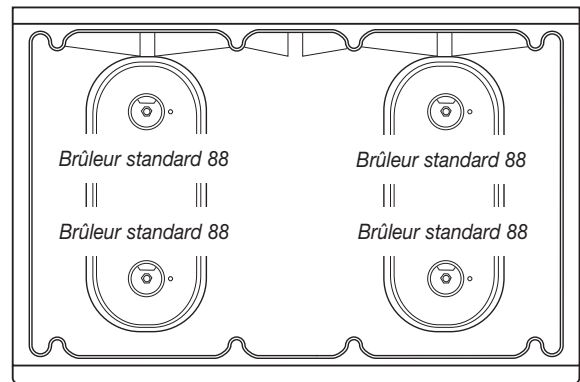


A. Gicleur

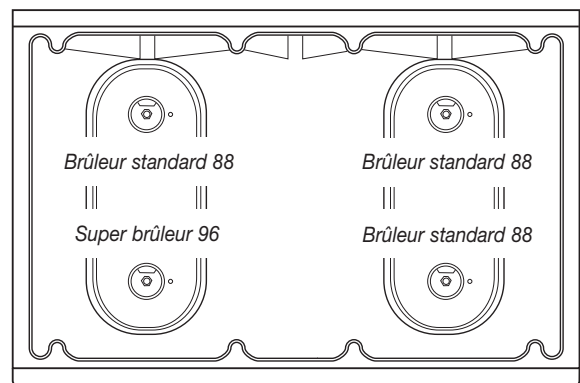
B. Support

REMARQUE : Selon le modèle, la table de cuisson de la cuisinière peut être équipée de 4 brûleurs standard ou de 3 brûleurs standard et d'un (1) super brûleur. La taille et l'emplacement des gicleurs restent les mêmes.

Pour les modèles avec 4 brûleurs standard :



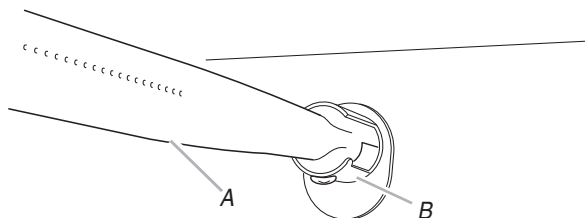
Pour les modèles avec 3 brûleurs standard et 1 super brûleur :



- Placer les gicleurs pour gaz naturel dans le sachet de pièces et les conserver avec le sachet de documentation pour une réutilisation ultérieure.
- Réinstaller les brûleurs, les chapeaux de brûleurs et les grilles de brûleurs.

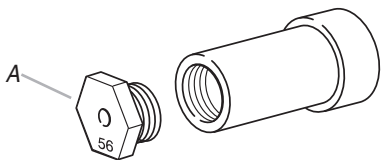
Conversion du brûleur du four

1. Ouvrir la porte du four et retirer les grilles du four, la plaque du four ainsi que le répartiteur de flammes et les mettre de côté.
2. Soulever le brûleur du four. Le gicleur se trouve derrière la virole de réglage d'admission d'air du brûleur du four.



A. Brûleur du four
B. Virole de réglage de l'admission d'air

3. Repérer le gicleur pour gaz propane portant la mention "56" dans le sachet de documentation fourni avec la cuisinière.
4. Utiliser une clé mixte de $\frac{3}{8}$ " pour enlever le gicleur du brûleur pour gaz naturel.
5. Installer le gicleur pour gaz propane portant le numéro "56".
IMPORTANT : Ne pas serrer excessivement.



A. Gicleur pour gaz propane portant la mention "56".

6. Placer le brûleur du four pour gaz naturel et les gicleurs de brûleurs de table de cuisson pour gaz naturel dans le sachet de pièces en plastique et les conserver avec le sachet de documentation pour une éventuelle réutilisation ultérieure.
7. Remettre en place le brûleur du four.
8. Remettre en place les grilles du four, la plaque du four et le répartiteur de flammes.

Terminer la conversion

1. Pour le raccordement correct de la cuisinière à la canalisation de gaz, se reporter à la section "Raccordement au gaz".
2. Tourner le robinet d'arrêt de gaz manuel de la canalisation à la position d'ouverture.
3. Pour l'allumage correct du brûleur, l'utilisation et le réglage des flammes sur le brûleur, voir "Contrôle du fonctionnement des brûleurs de la table de cuisson" dans la section "Système d'allumage électronique".

IMPORTANT : Il peut être nécessaire de modifier le réglage des flammes à la position du débit thermique minimum "LO" pour chaque brûleur de la table de cuisson.

Il est très important de vérifier l'établissement de flammes correctes sur les brûleurs de la table de cuisson et du four. Le petit cône interne doit comporter une flamme bleue très distincte de $\frac{1}{4}$ " (0,64 cm) à $\frac{1}{2}$ " (1,3 cm) de longueur. Le cône externe n'est pas aussi distinct que le cône interne. Les flammes d'un brûleur alimenté au propane comportent une pointe légèrement jaune.

4. Fermer la porte du four et tourner le bouton à "OFF" (arrêt).
5. Voir la section "Achever l'installation" pour terminer cette procédure.

Conversion pour l'alimentation au gaz naturel

⚠ AVERTISSEMENT



Risque de basculement

Un enfant ou une personne adulte peut faire basculer la cuisinière, ce qui peut causer un décès.

Fixer la bride antibasculement au plancher ou au mur, conformément aux instructions d'installation.

Faire glisser de nouveau la cuisinière de façon à ce que le pied arrière de la cuisinière se trouve dans la fente de la bride antibasculement.

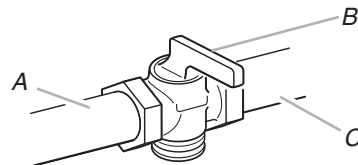
Réengager la bride antibasculement si la cuisinière a été déplacée.

Ne pas faire fonctionner la cuisinière si la bride antibasculement n'est pas installée et engagée.

Le non-respect de ces instructions peut causer un décès ou des brûlures graves aux enfants et aux adultes.

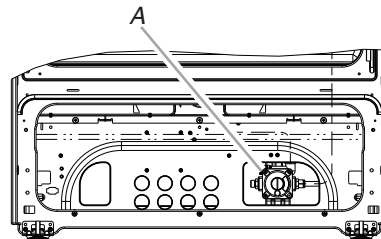
Conversion du détendeur pour gaz naturel

1. Placer le robinet d'arrêt manuel à la position "fermée".



A. Vers la cuisinière
B. Robinet d'arrêt manuel à la position "fermée".
C. Canalisation d'alimentation en gaz

2. Débrancher la cuisinière ou déconnecter la source de courant électrique.
3. Ouvrir la porte du brûleur et retirer la lèchefrite. Le détendeur se trouve dans le coin arrière droit du compartiment du brûleur.



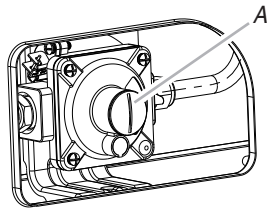
A. Détendeur

IMPORTANT : Ne pas enlever le détendeur.

REMARQUE : Ne pas enlever le ressort situé sous le capuchon.

- Retirer le capuchon du détendeur à l'aide d'un tournevis à lame plate.

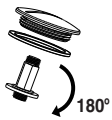
REMARQUE : Veiller à ce que le joint reste à la même position.



A. Capuchon

- Pour la conversion au gaz naturel, dévisser la vis de réglage en plastique à la main, la retourner et la revisser.

Pression d'alimentation pour propane



Pression d'alimentation pour gaz naturel



A. Capuchon

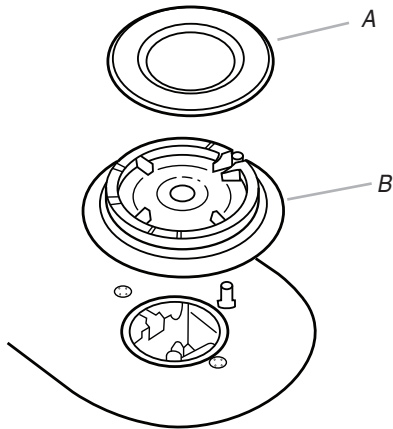
B. Joint

C. Vis de réglage

- Réinstaller le capuchon.

Conversion des brûleurs de surface

- Ôter la grille du brûleur, les chapeaux de brûleurs et les brûleurs.

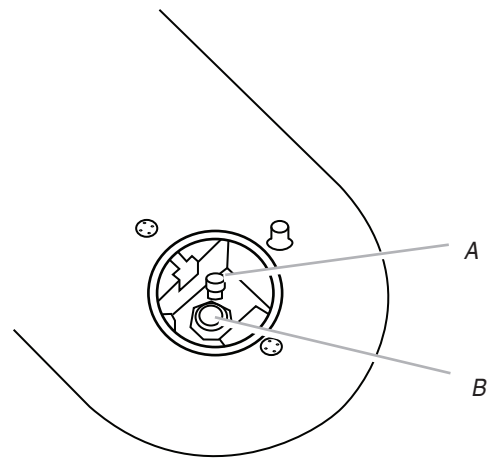


A. Chapeau de brûleur

B. Brûleur

- Repérer les gicleurs pour gaz naturel des brûleurs supérieurs dans le sachet de documentation fourni avec la cuisinière. Trois gicleurs pour gaz naturel portent la mention "149" et un porte la mention "165".
- Ôter les gicleurs de brûleur pour gaz propane à l'aide d'une clé mixte de 7 mm.

- Installer les gicleurs de brûleur pour gaz naturel à l'aide d'une clé mixte de 7 mm.

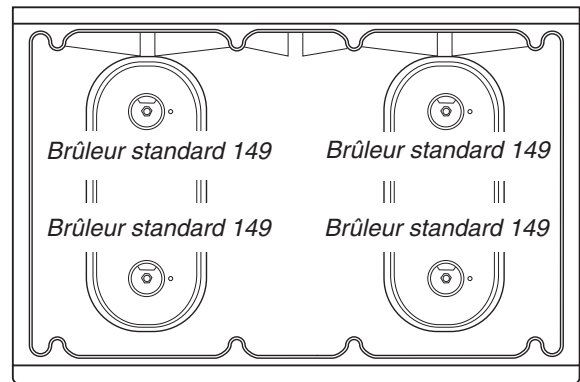


A. Gicleur

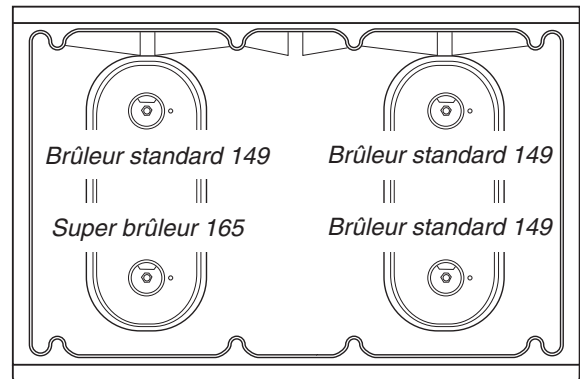
B. Support

REMARQUE : Selon le modèle, la table de cuisson de la cuisinière peut être équipée de 4 brûleurs standard ou de 3 brûleurs standard et d'un (1) super brûleur. La taille et l'emplacement des gicleurs restent les mêmes.

Pour les modèles avec 4 brûleurs standard :



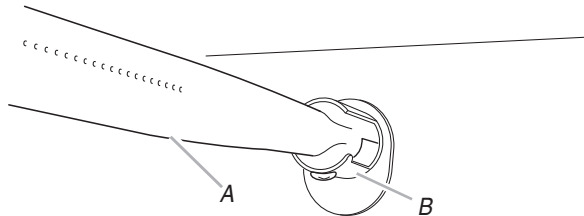
Pour les modèles comportant 3 brûleurs standard et 1 super brûleur :



- Placer les gicleurs pour gaz propane dans le sachet de pièces et les conserver avec le sachet de documentation pour une réutilisation ultérieure.
- Réinstaller les brûleurs, les chapeaux de brûleurs et les grilles de brûleurs.

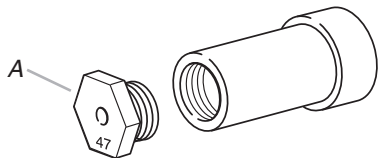
Conversion du brûleur du four

1. Ouvrir la porte du four et retirer les grilles du four, la plaque du four ainsi que le répartiteur de flammes et les mettre de côté.
2. Soulever le brûleur du four. Le gicleur se trouve derrière la virole de réglage d'admission d'air du brûleur du four.



A. Brûleur du four
B. Virole de réglage de l'admission d'air

3. Repérer le gicleur pour gaz naturel portant la mention "47" dans le sachet de documentation fourni avec la cuisinière.
4. Utiliser une clé mixte de $\frac{3}{8}$ " pour enlever le gicleur du brûleur pour gaz propane.
5. Installer le gicleur pour gaz propane portant le numéro "47".



A. Gicleur pour gaz naturel portant la mention "47".

IMPORTANT : Ne pas serrer excessivement.

6. Placer le brûleur du four pour gaz propane et les gicleurs de brûleurs de table de cuisson pour gaz propane dans le sachet de pièces en plastique et les conserver avec le sachet de documentation pour une éventuelle réutilisation ultérieure.
7. Remettre en place le brûleur du four.
8. Remettre en place les grilles du four, la plaque du four et le répartiteur de flammes.

Terminer la conversion

1. Pour le raccordement correct de la cuisinière à la canalisation de gaz, se reporter à la section "Raccordement au gaz".
2. Tourner le robinet d'arrêt de gaz manuel de la canalisation à la position d'ouverture.
3. Pour l'allumage correct du brûleur, l'utilisation et le réglage des flammes sur le brûleur, voir "Contrôle du fonctionnement des brûleurs de la table de cuisson" dans la section "Système d'allumage électronique".

IMPORTANT : Il peut être nécessaire de modifier le réglage des flammes à la position du débit thermique minimum "LO" pour chaque brûleur de la table de cuisson.

Il est très important de vérifier l'établissement de flammes correctes sur les brûleurs de la table de cuisson et du four. Le petit cône interne doit comporter une flamme bleue très distincte de $\frac{1}{4}$ " (0,64 cm) à $\frac{1}{2}$ " (1,3 cm) de longueur. Le cône externe n'est pas aussi distinct que le cône interne. Les flammes d'un brûleur alimenté au gaz naturel ne comportent pas de pointe jaune.

4. Fermer la porte du four et tourner le bouton à "OFF" (arrêt).
5. Voir la section "Achever l'installation" pour terminer cette procédure.